

INSTALLATION TIPS

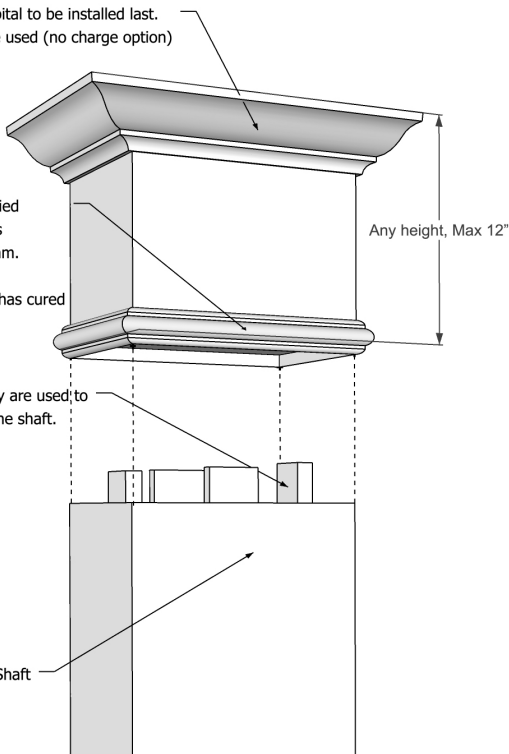
FOR ADDING 12" PVC EXTENSIONS

Four part Georgian Capital to be installed last.
Box Capital can also be used (no charge option)

Astragal Trim to be applied
(glued) after the shaft is
attached to hide the seam.
Tip:
Tape in place until glue has cured

Glue Cleats in place, they are used to
lineup both sections of the shaft.

Main Column Shaft



TIP:

Although the distance from the Astragal Trim to the top of the Capital can vary, the distance of 8" to 12" is more architecturally accurate. We recommend cutting the main column shaft, to achieve your desired height. Leaving the extension at its original 8" to 12".