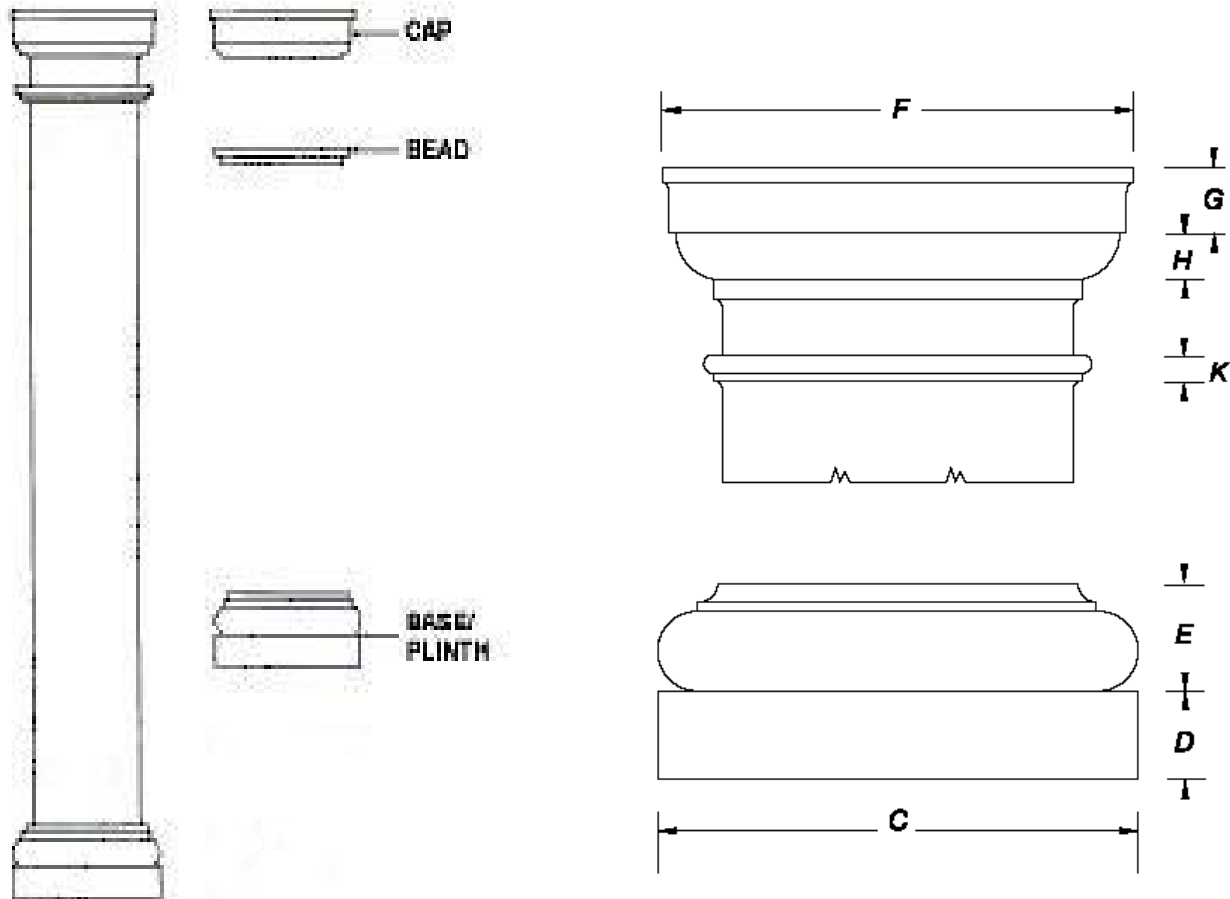


# NON-TAPERED DURALITE ROUND FIBERGLASS COLUMN



COL SIZE	SHAFT SIZE	C	D	E	F	G	H	K
6"	6"	8 1/2"	1 1/2"	1 3/4"	8 1/2"	1 1/2"	1 1/2"	1 1/2"
8"	8"	10 1/2"	2"	2 1/2"	10 3/4"	1 1/2"	1 3/4"	1 1/2"
10"	9 3/8"	12 1/2"	2 1/8"	2 3/4"	12"	1 1/2"	1 7/8"	1 3/4"

Shaft Diameter	Shaft Diameter Inside	Length	Maximum Load Bearing lb.
6"	5 3/4"	From 6 to 10 ft	4,000
8"	7 1/2"	From 6 to 12 ft	6,000
10"	9"	From 6 to 12 ft	7,000