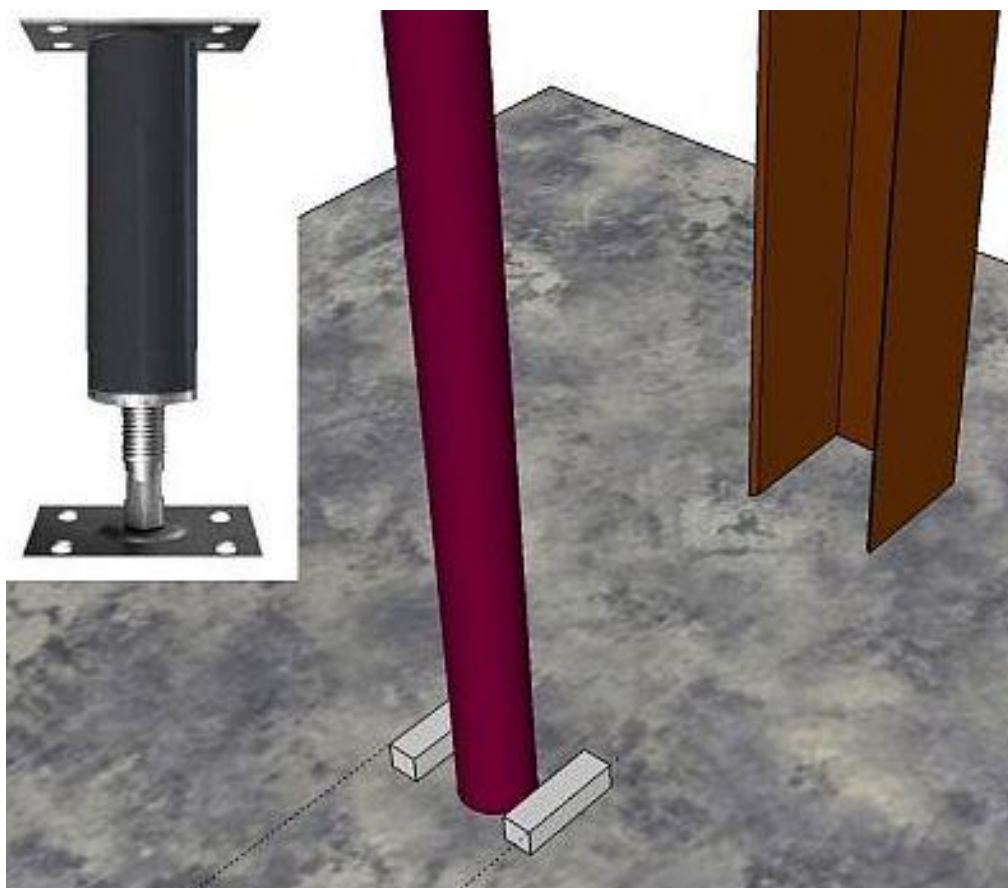
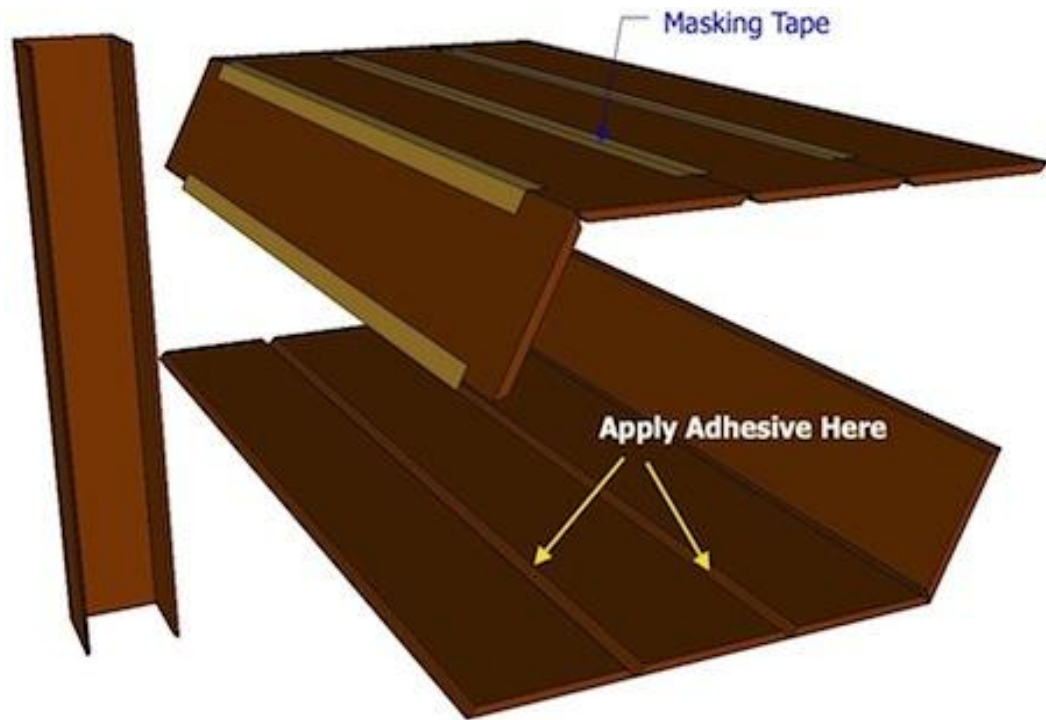


INSTALLATION TIPS FOR POST COVERS / COLUMN WRAPS

by ELITE TRIMWORKS

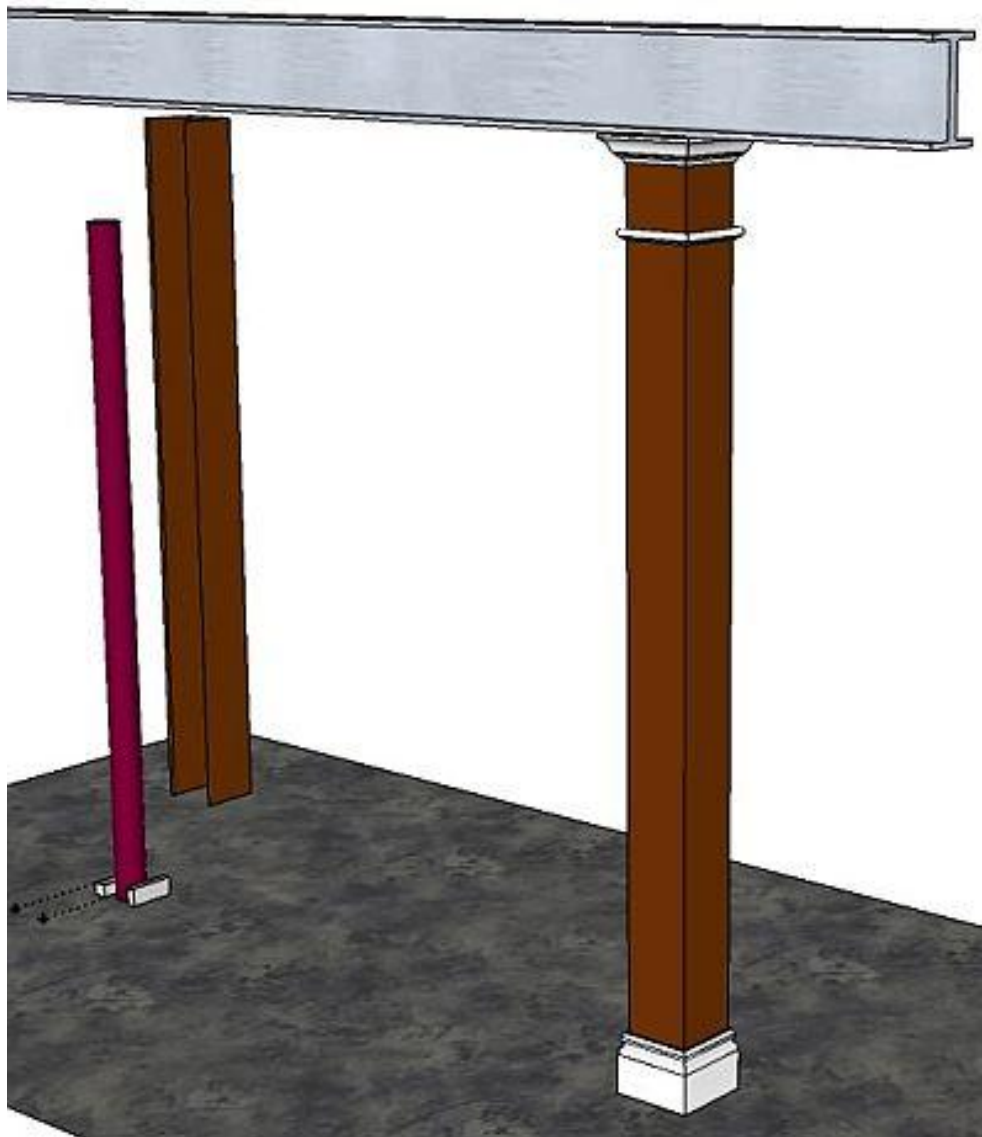
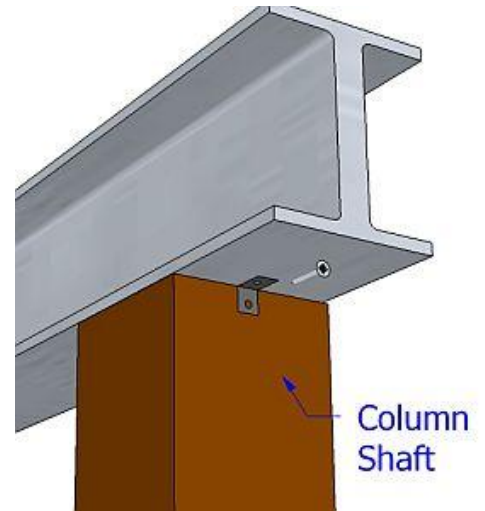
1. Using a pencil, mark the footprint of both top and bottom where the column shaft is being installed.
2. Use a level to ensure that your markings are plum and the shaft lines up vertically.
3. Install PVC cleats on the floor using the Tapcon Screws provided. They can be installed on the wide or narrow side depending on the space you have to work with.
4. If required: cut the panels to your appropriate height.



5. Tape three column shafts together on the outside face side. Ensure that the column shafts are lined up together in width and height.

6. Flip the three taped column shafts over and apply the MDF glue to the inside of your folding area. Start with just 3 panels as in the picture.

7. Form the "U" shape by folding the left and right side column shafts perpendicular to the centre column shaft creating a 90 degree angle. Tape in place and allow glue to set. You may also pin or nail using one small finish nail at the top and the bottom.
8. Stand up column, place over cleats and screw in place
9. Screw the "L" brackets to the column shaft and then to the ceiling.
10. Install the last panel of the column shaft using the same taping method described above.



11. Add the trim as shown in the picture by pinning, gluing or nailing the trims onto the shaft. Dap or caulk trim if required.

12. Prime and then paint and you're done!