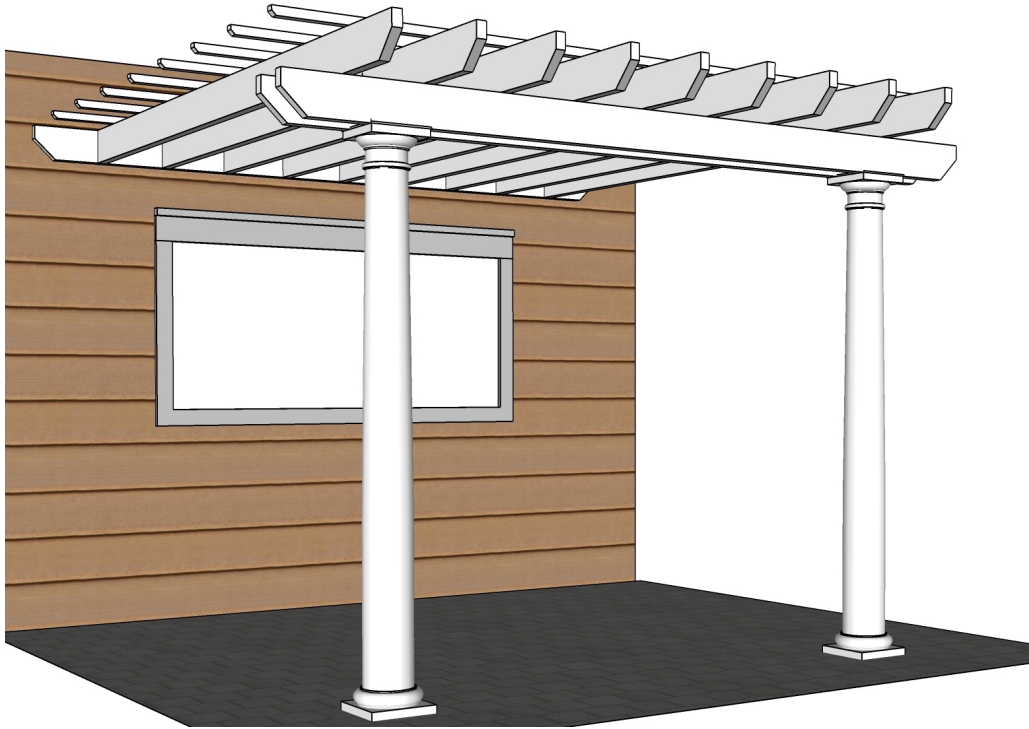
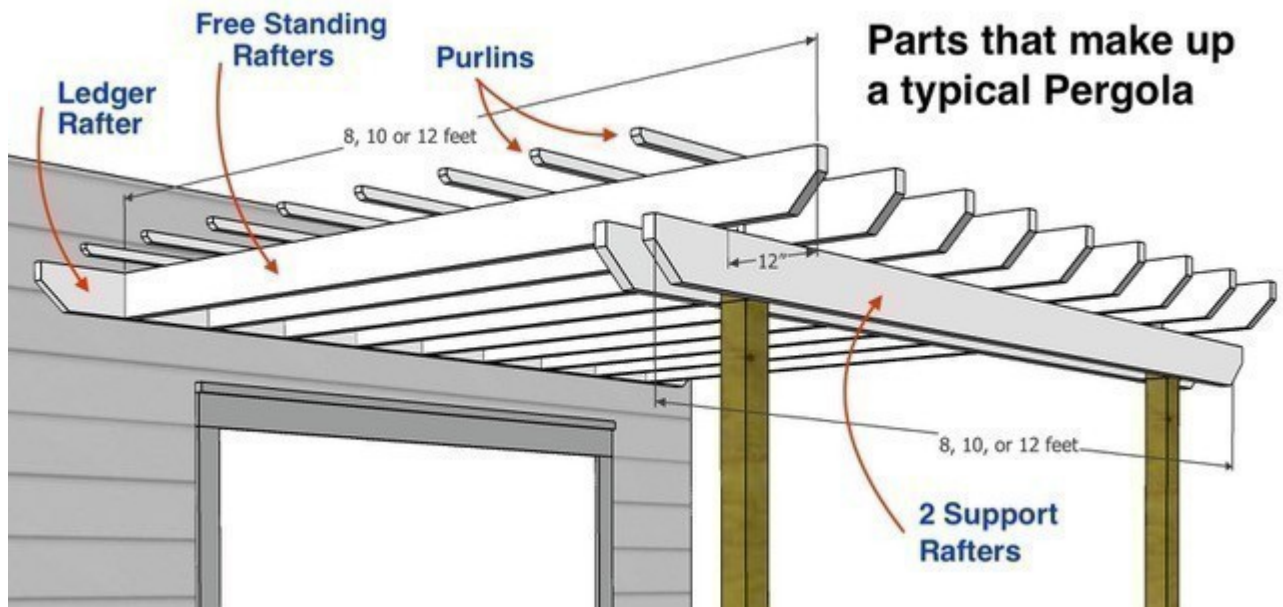


HOW TO INSTALL ELITE TRIMWORKS WALL-SUPPORTED PERGOLA



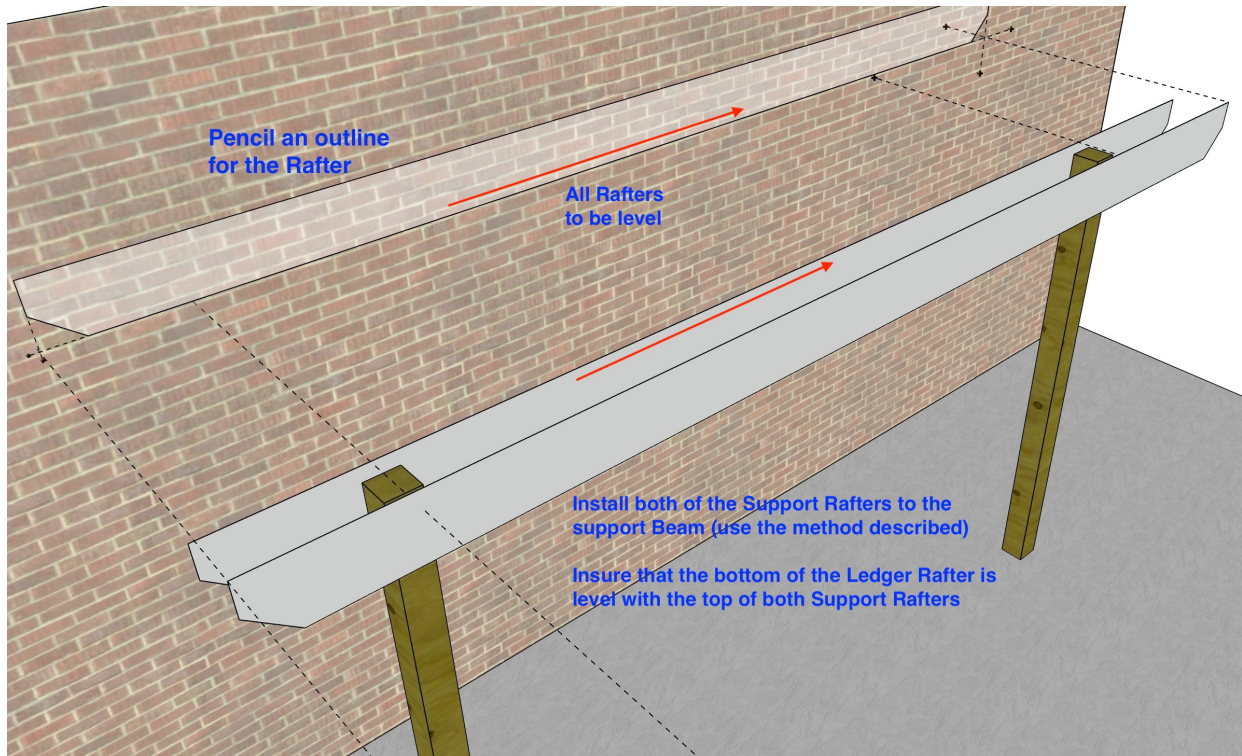
Introduction

It's important to understand that installing wood rafters is quite different from attaching hollow PVC rafters. This is because the methods used to support them vary compared to traditional wood rafters. PVC rafters, which may or may not have aluminum frames depending on their design, present unique considerations. To start, let's look at the names of the different components involved.



Before proceeding, ensure that you have the wooden or steel support posts securely installed and levelled at the desired height. Depending on your supporting wall construction, there are multiple methods for installing the Elite Trimworks Ledger Rafter and the corresponding wooden frame.

HOW TO INSTALL ELITE TRIMWORKS WALL-SUPPORTED PERGOLA

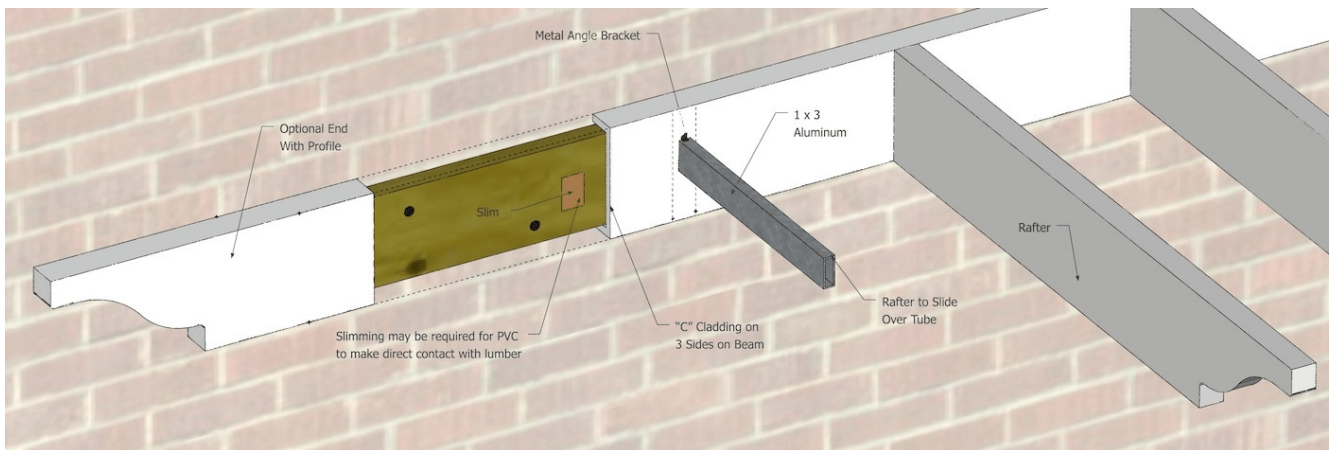


Installing the Ledger Beam

Our PVC rafters come in a hollow design, and depending on the design or load-bearing requirements, they may or may not include aluminum frames. The mounting cleats provided are designed with this variation in mind and may differ from what is depicted. The typical parts and methods for the Ledger are outlined below. Note that our mounting cleats are designed to hold the rafter at the same level as the Ledger, rather than sitting on top of it.

Our ledger consists solely of the cladding, with the weight of the rafters supported by lumber and hardware supplied by others. To comply with customs and duty restrictions, we do not include the 2 x 6 lumber. However, the kit does contain mounting cleats with matching hardware and plugs.

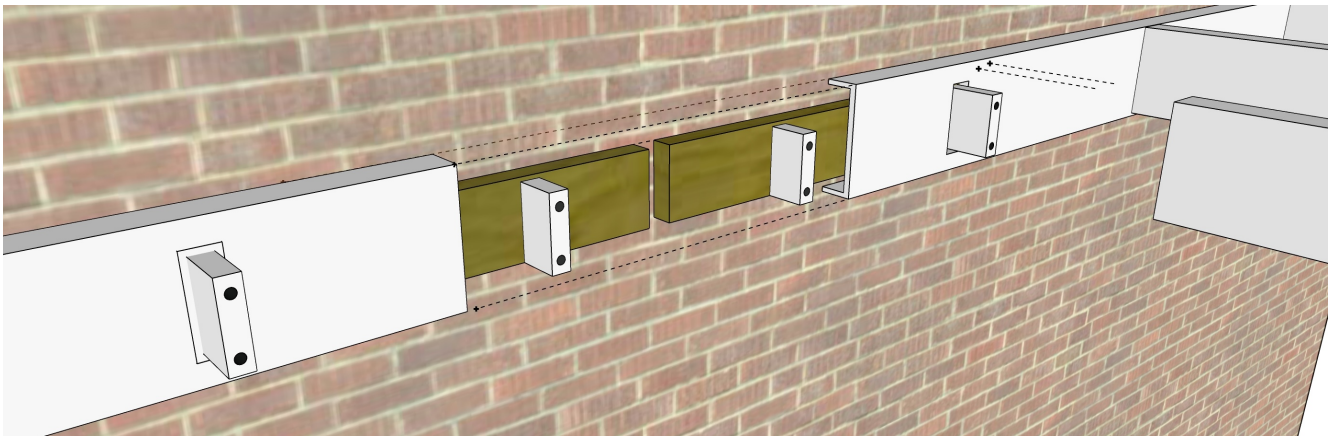
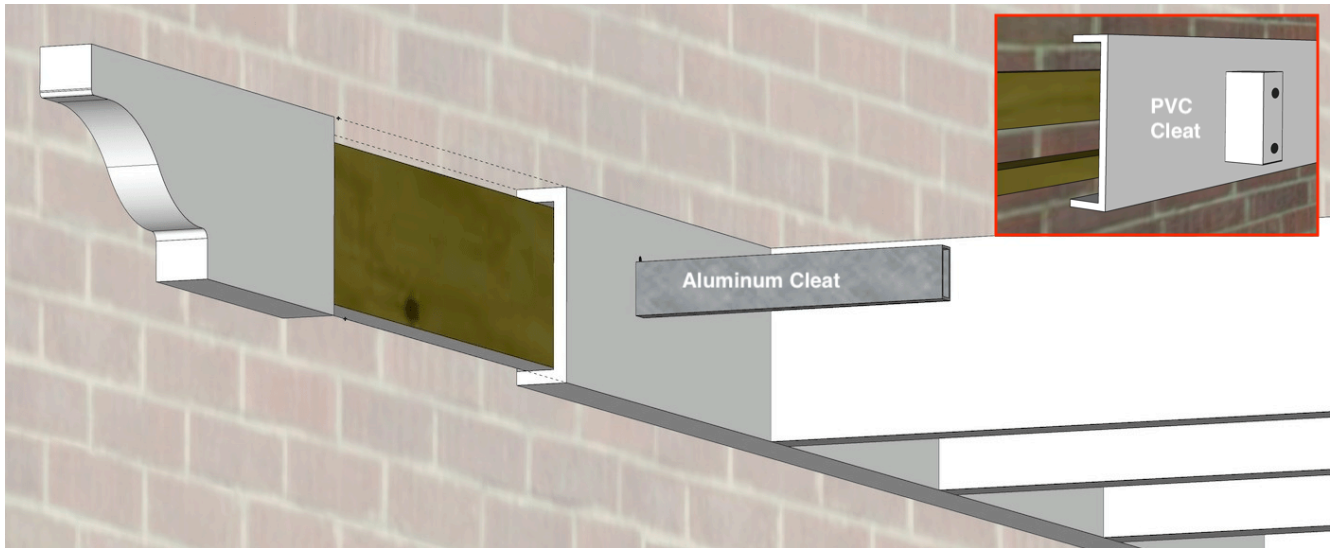
1. Begin by marking and levelling both the ledger Rafter and the Support Rafters. Then, proceed to mount the wooden support on the wall using appropriate fasteners capable of bearing the weight of your Pergola. Ensure that mechanical fasteners are countersunk to avoid interference with the PVC cladding.



HOW TO INSTALL ELITE TRIMWORKS WALL-SUPPORTED PERGOLA

2. Install the cladding over the support lumber, making sure it is level so that the bottom of the cladding aligns with the top of the support rafters, as indicated in the drawing. If necessary, shim the PVC cladding, then secure it by pinning and gluing with construction adhesive (such as PL Premium).

3. Mark your desired spacing and install the moulding cleats using the timber screws provided.

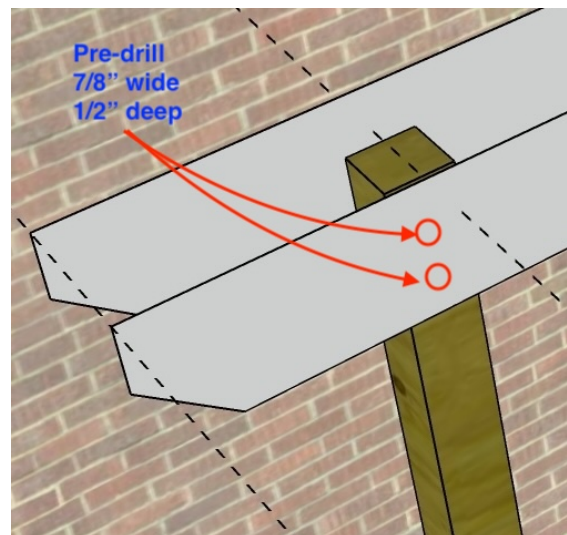


Installing the Support Beams

1-First, the PVC support rafter is to be levelled and screwed into each side of your wooden supports. First drill a $\frac{7}{8}$ " hole, ONLY about $\frac{1}{2}$ " deep.

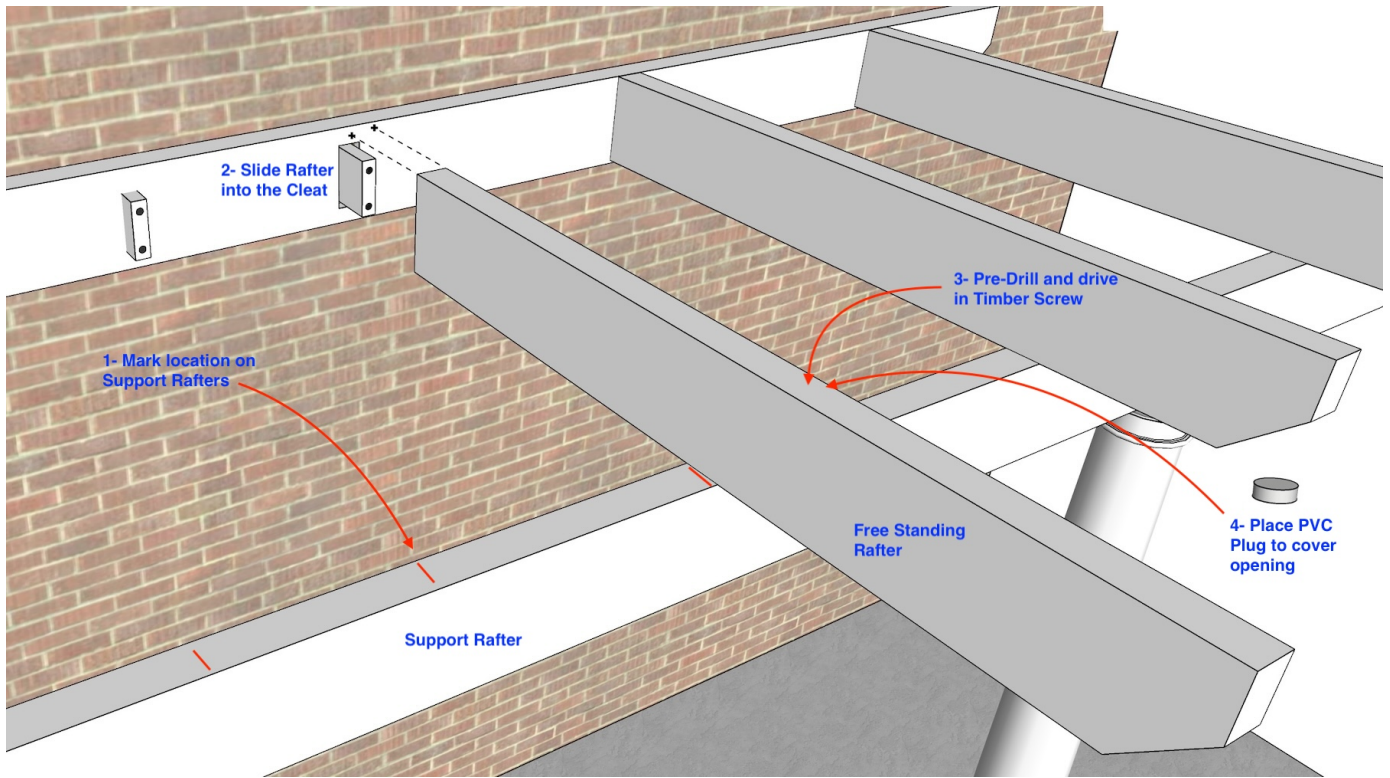
2- Do not over-tighten timber screws.

3- Insert the PVC Plugs provided, then tap in place with a rubber hammer.



HOW TO INSTALL ELITE TRIMWORKS WALL-SUPPORTED PERGOLA

Installing the Free Standing Rafters



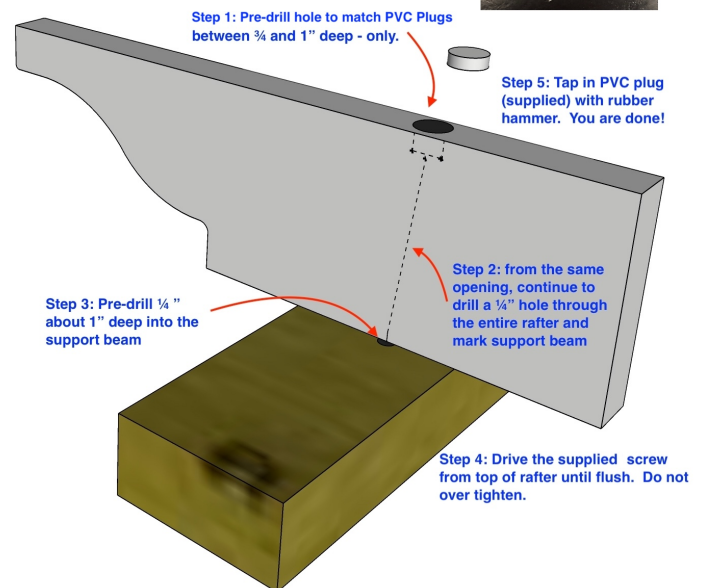
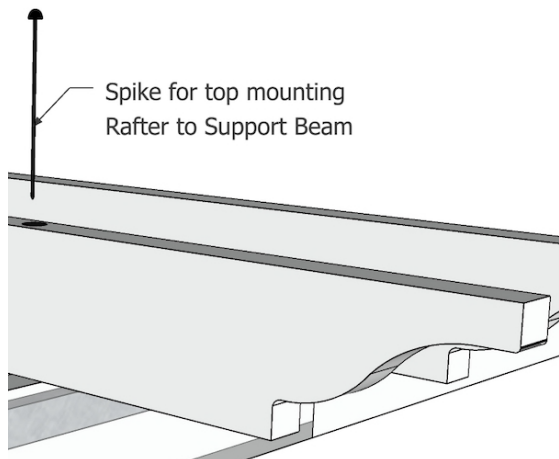
1-Mark location to position Free-Standing Rafters

2- Slide Rafter onto Cleat, glue and pin in place

3- Pre-drill and Drive long timber screw.
Note that the screw can only be drilled into the support rafter no deeper than 2 inches.

4- Tap in place PVC plug with a rubber hammer.

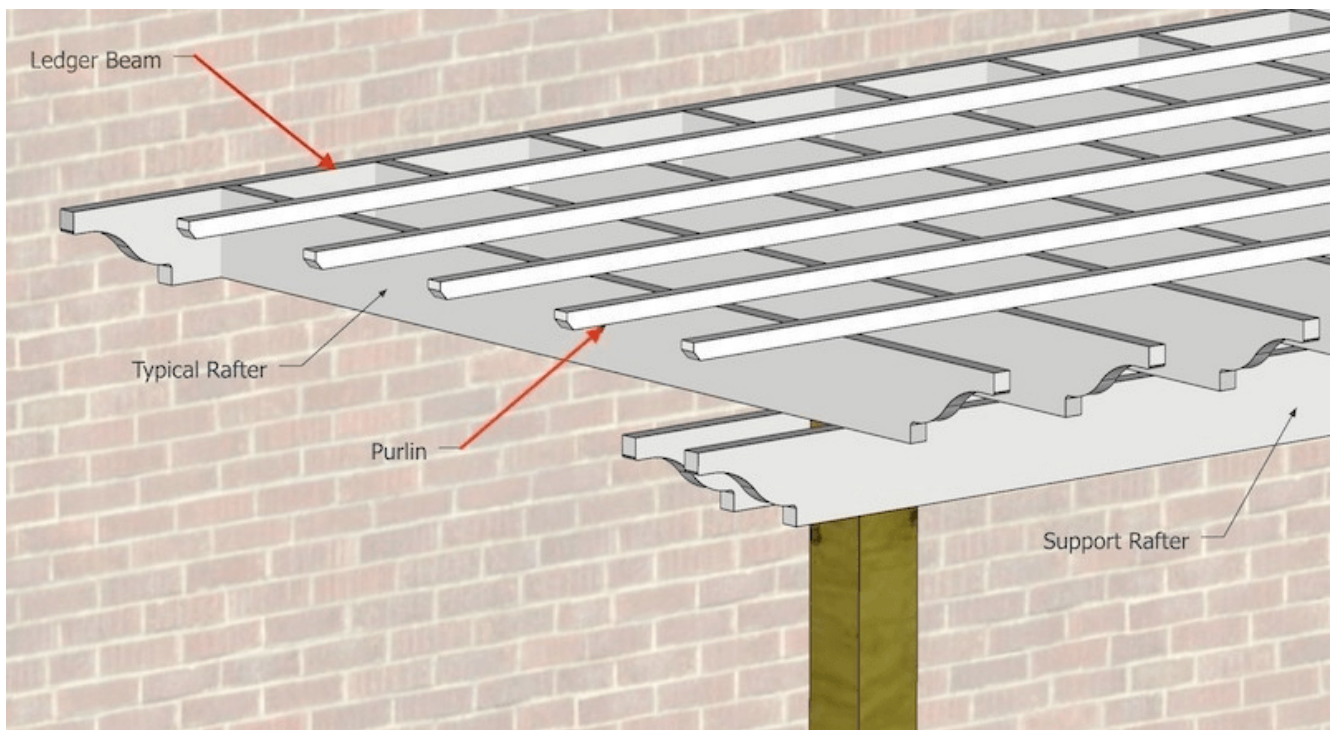
Pre-Drilling Requirements to Fasten Elite PVC Rafters



HOW TO INSTALL ELITE TRIMWORKS WALL-SUPPORTED PERGOLA

Installing the 2x2 Purlins

1. Cut all the Purlins to match the length of the Support Rafters. Optionally, profile, bevel or notch the ends of the Purlins.
2. Mark the top of the Support Rafters to ensure even spacing for the installation of the Purlins.
3. Utilize the provided screws and tooling to screw the Purlins onto the top of the Support Rafters. Avoid omitting Purlins, as they are vital for the structural integrity of the Pergola.
4. Tap in the small PVC plugs, and you are done!



As an option, you may paint your structure. Cellular PVC readily accepts paint should you choose to paint it. If painting with darker colours, be sure to use heat-reflective paint.

Contact us if you have any questions regarding the installation of your pergola kit.



#8 25 Royal Group Cres., Woodbridge, Ontario, Canada L4H 1X9 905-760-1665 www.elitetrimworks.com