



Installation Instructions

Trellis

General & Safety Information

- Wear proper personal protective equipment (PPE).
- Operate all tools per manufacturer guidelines.
- Standard woodworking saws and blades can be used for cutting Fypon® polyurethane (PUR) products.
- Fypon PUR parts are NOT load bearing.
- For remodeling applications and alternative facades like stucco, vinyl, etc., please refer to Fypon General Remodeling and Alternate Facade Instructions, which can be found at fypon.com/install.
- For best results, finish and allow to dry prior to installation. Refer to Fypon General Finishing Instructions, which can be found at fypon.com/install.
- All Fypon products must be installed per the following instructions and finished within 90 days of installation to maintain warranty coverage.

Tools / Materials

- Pencil
- Tape measure
- Level
- Square
- Hammer or pneumatic nailer
- Nail countersink
- Drill / driver (if using screws)
- Putty knife
- Saw
- Sandpaper (220-grit recommended)
- Caulk gun
- 3/8" drill bit
- 1/2" and 9/16" open-end wrenches or sockets / ratchet
- Exterior-grade polyurethane-compatible sealant and / or filler
- Exterior-grade polyurethane-compatible adhesive (Loctite® PL Premium® recommended)
- Exterior-grade fasteners (trim head screws recommended)

Installation Instructions

1) Measure and mark wall.

Mark a vertical line at the center of where the trellis will be mounted. Also mark vertical lines to the left and right of the center mark, at equal spacing. Spacing for common door sizes is shown on the right (Figure 1A).

Determine where the bottom of the beam will be when it's mounted, and make marks that are 1/8" below that, at the lines marked earlier (Figure 1B). These will be the angle bracket locations.

2) Install angle brackets.

Ensure there is adequate structural support where each of the brackets will be installed. Use fasteners that are at least 5/16" in diameter (not provided) and attach angle brackets at the marks made in the previous step. Each angle bracket is capable of supporting 345 lbs.

Figure 1A

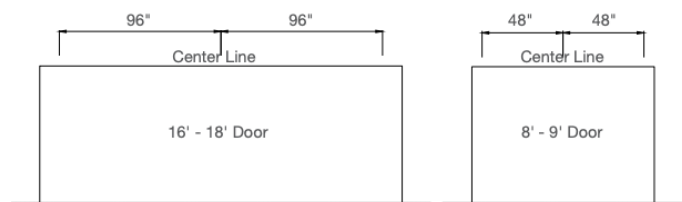
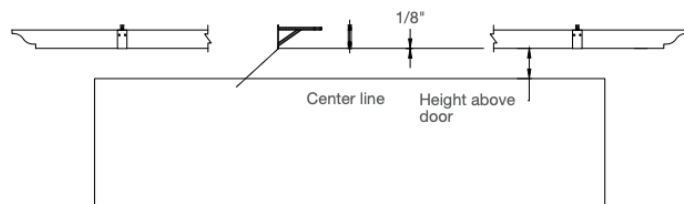


Figure 1B





Installation Instructions Trellis

3) Cut beams.

Measure and cut beams to the desired lengths. Cut left and right sides, two of each. Typical beam lengths are listed in the chart on the right for common door sizes (Figure 3). Note that the left and right beam sections are not cut to the same length for smaller doors. The joint between the beam sections will be positioned in the middle of the U-shaped bracket.

4) Drill holes in beams.

Position the U-shaped brackets on the ground with the centers of the brackets at the same spacing as the marks from Step 1. Place all of the beams into the brackets as if they are going to be installed (Figure 4A). The joint between the left and right beams should be in the middle of a U-shaped bracket (Figure 4B).

Once the brackets are in the proper positions, temporarily clamp them in place and use a 3/8" diameter bit to drill into the beams through the holes in the U-shaped brackets, as deeply as possible. This can only be done from the front of the front beams and from the back of the back beams. Mark hole locations on the opposite sides of the U-shaped brackets.

Remove the clamps and take the beams out of the brackets. Finish drilling the holes through the beams. The holes may need to be enlarged slightly if they don't line up perfectly with the holes drilled earlier.

Now is a good time to finish the trellis components if they weren't earlier, or touch up any machined areas.

Figure 3

Door Size	Left Side Beam Length	Right Side Beam Length
18'	142-½"	142-½"
16'	130-½"	130-½"
9'	136-½"	40-½"
8'	130-½"	34-½"

Figure 4A

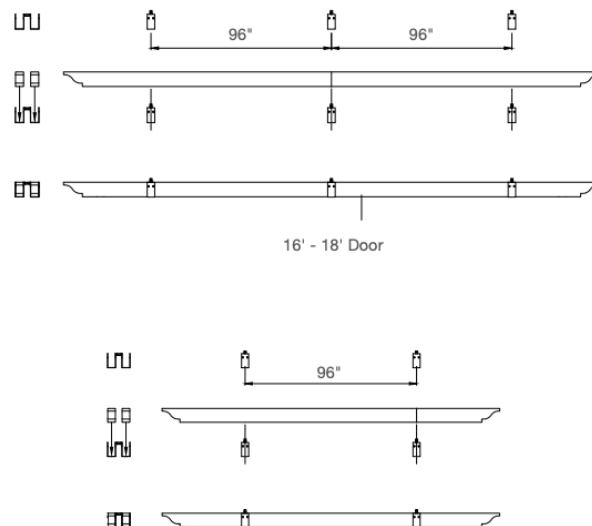
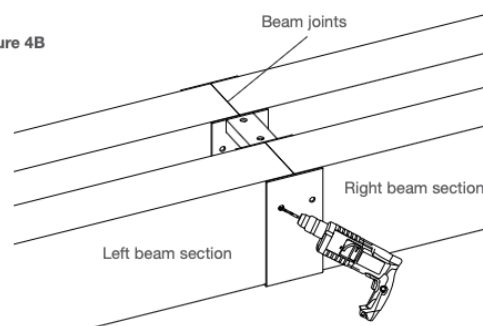


Figure 4B





Installation Instructions

Trellis

5) Mount the beams.

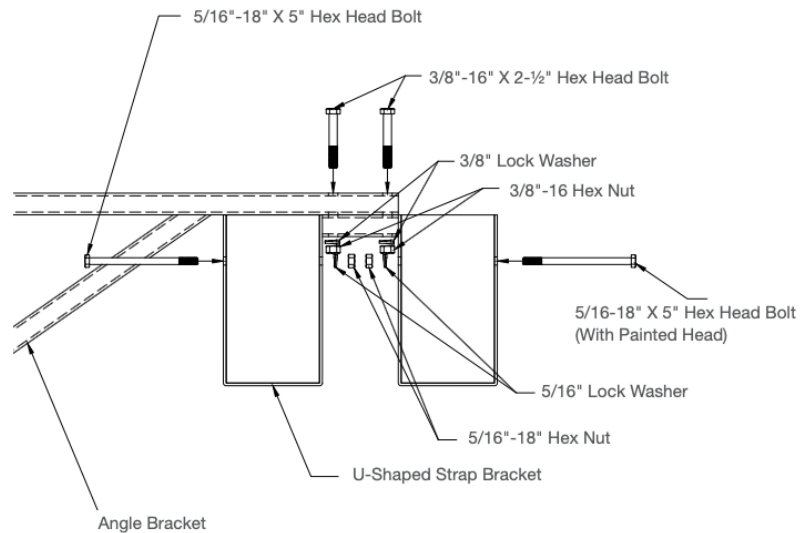
Position the U-shaped brackets as they were in the previous step and place the back beams into position. The joint between the beam sections should fall in the middle of a bracket, so the cut ends will be attached to the same bracket. Attach the U-shaped brackets to the beams using 5/16" x 5" hex head bolts with unfinished heads, lock washers and hex nuts (Figure 5). However, do not attach the cut end of the right side beam to a bracket yet. Do not completely tighten bolts yet, leaving room for adjustment later. Lift the left side assembly into position and fasten to the underside of the angle brackets using 3/8" x 2-1/2" hex head bolts, lock washers and 3/8" hex nuts. Again, do not completely tighten yet, leaving room for adjustment later.

Now lift the right side assembly into position and slide the cut end onto the bracket with the cut end of the other beam, and fasten with 5" and 2-1/2" hex head bolts, lock washers, and hex nuts, as before, not completely tightened yet.

Now install the front beams into the U-shaped strap brackets in a similar manner, but use the 5/16" hex head bolts with the painted heads for the front beams, with the painted heads exposed to the front (Figure 5).

Once all of the bolts are inserted, they can be fully tightened.

Figure 5





Installation Instructions Trellis

6) Attach lattice.

Attach lattice to beams using adhesive and exterior grade fasteners. The recommended on-center spacing for the lattice is 16" (Figure 6).

7) Install outlookers.

The outlookers should be butted up to the bottom of the beams and attached using adhesive and exterior grade fasteners. Outlookers are typically about 12" from the edge of the opening (Figure 6). Note outlookers are decorative and not designed to provide structural support.

8) Fill and sand fastener holes and beam joints.

Fill fastener holes and joints with filler and sand to match surrounding area, if needed, but be careful not to remove the primer.

9) Touch up or finish.

Refer to Fypon® General Finishing Instructions. If part was finished prior to installation, touch up filled fastener holes with color-matched finish.

Figure 6

