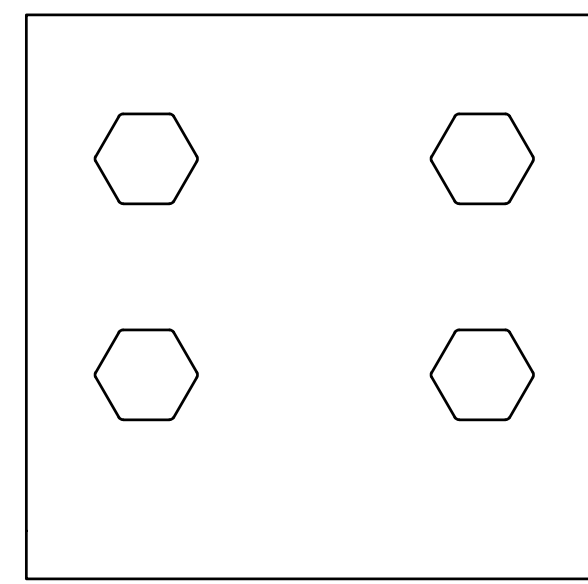
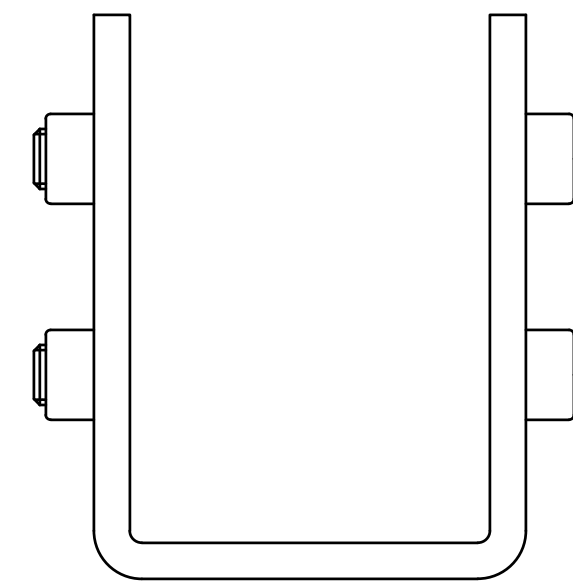


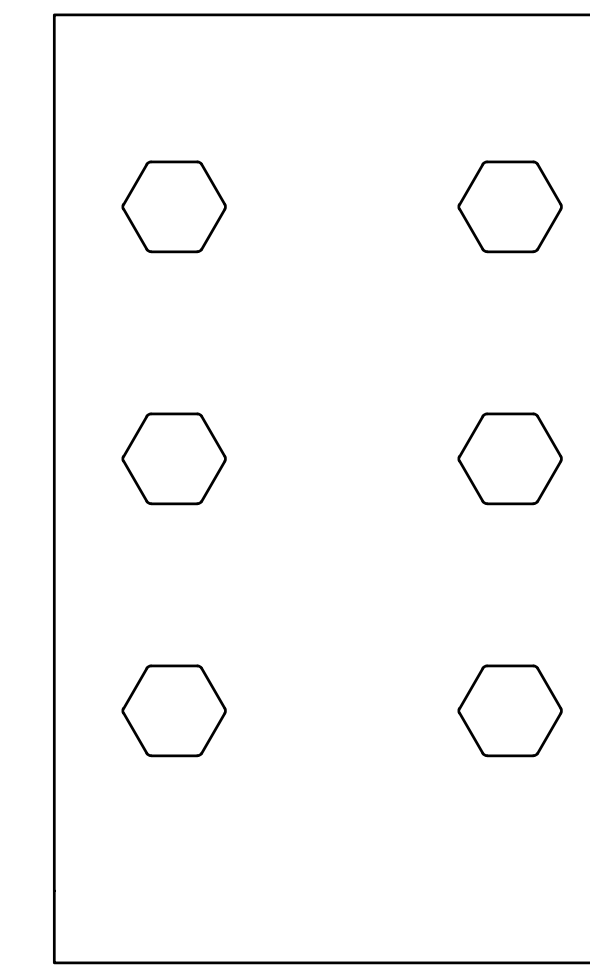
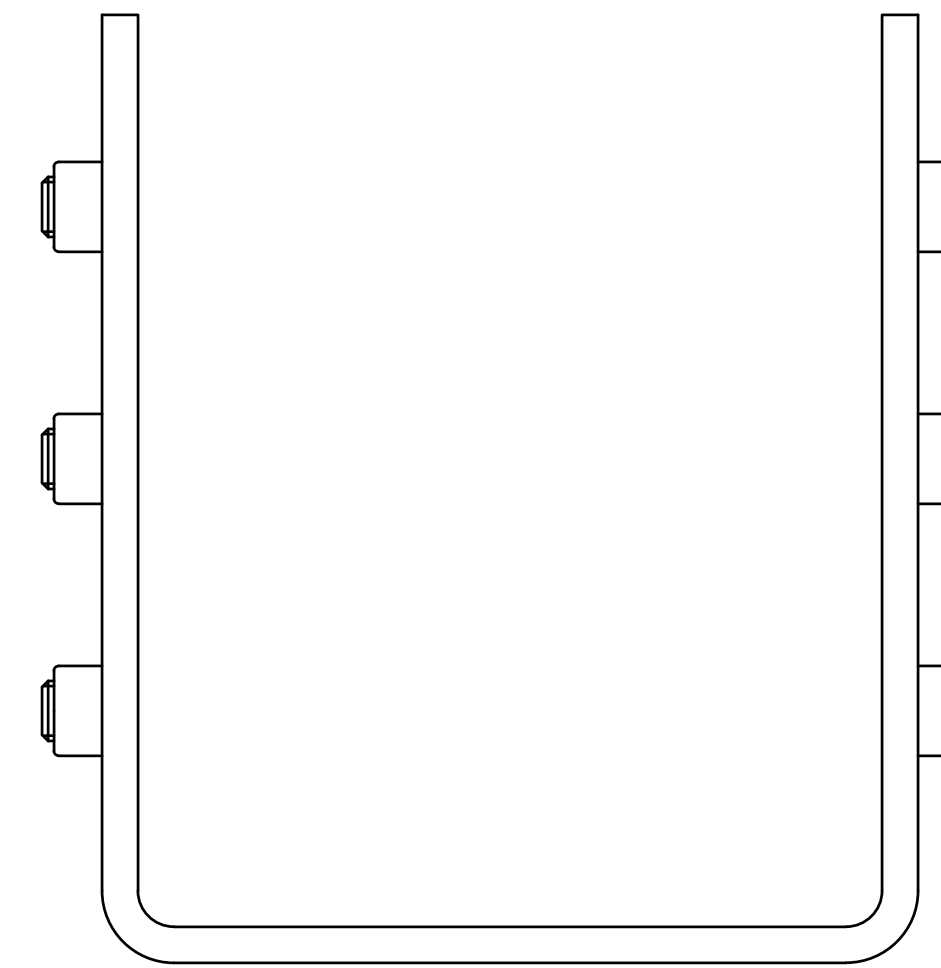
BEAM STRAPS

REV	DESCRIPTION	DATE	AUTHOR
A	ER7895 - INITIAL RELEASE	1/12/2016	Z.WALK
B	ER7915 - UPDATED NOTE BLOCK TO INCLUDE HAMMERED TEXTURE MS SPEC	2/17/2016	Z.WALK
C	EC20-0089 - UPDATED HEIGHT 1/8" MORE ON ALL BEAM STRAPS	6/26/2020	H. LOPEZ

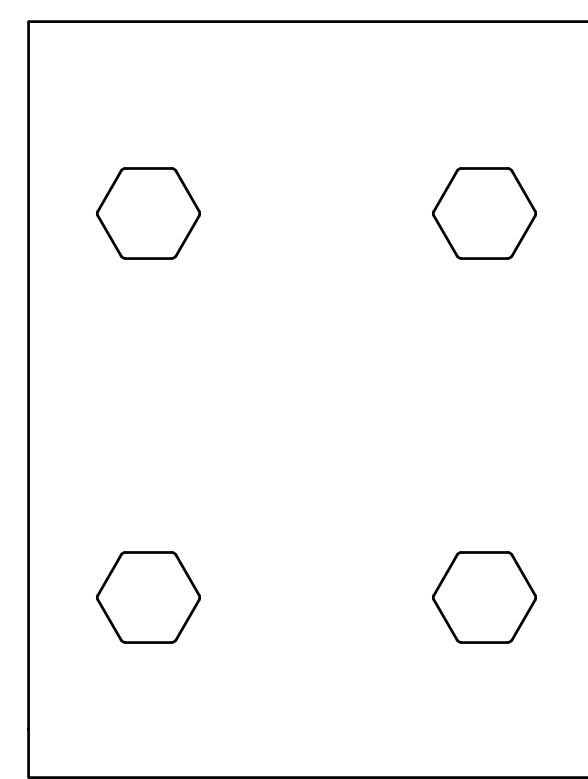
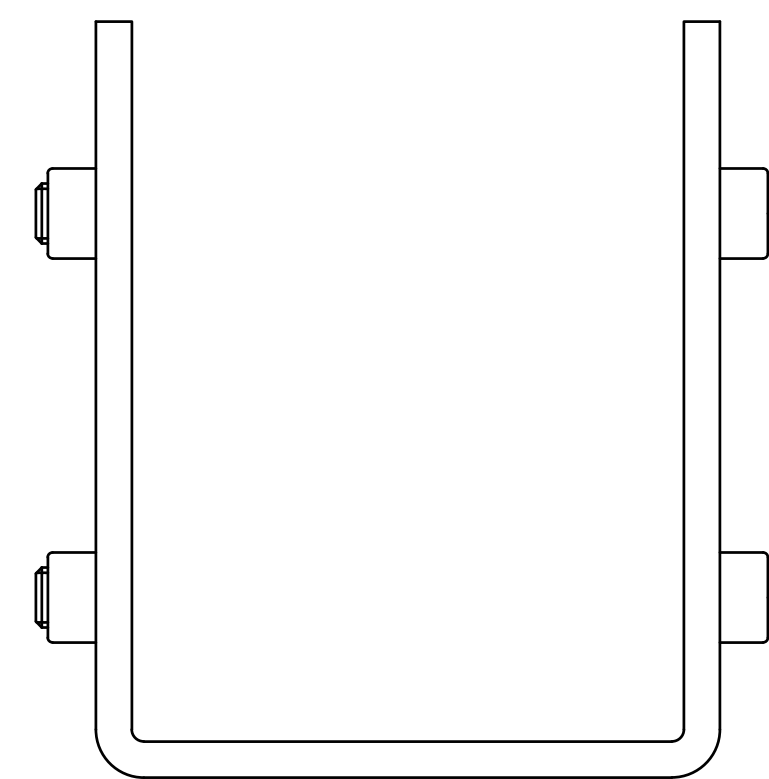
TABLE OF CONTENTS	
PAGE TITLE	SHEET NUMBER
BEAM STRAPS	1
BEAM STRAPS FOR 4X6 BEAMS	2
BEAM STRAPS FOR 6X8 BEAMS	3
BEAM STRAPS FOR 8X10 BEAMS	4
BEAM STRAPS FOR 10X15 BEAMS	5



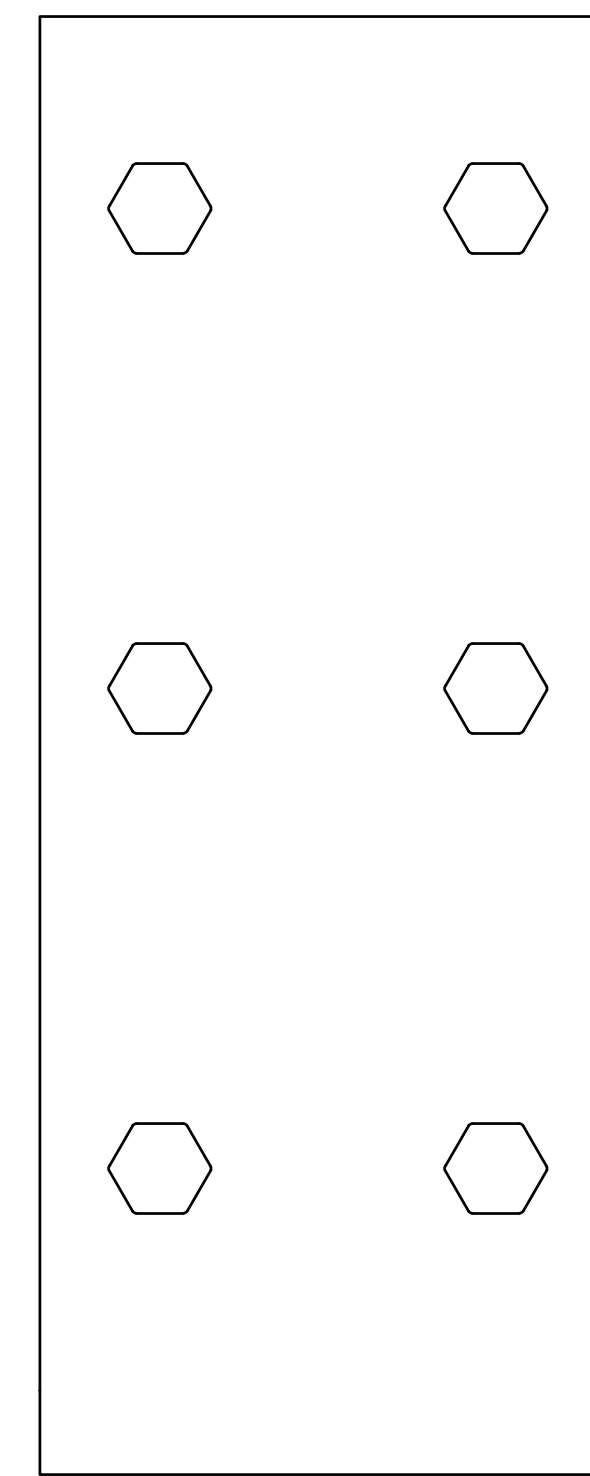
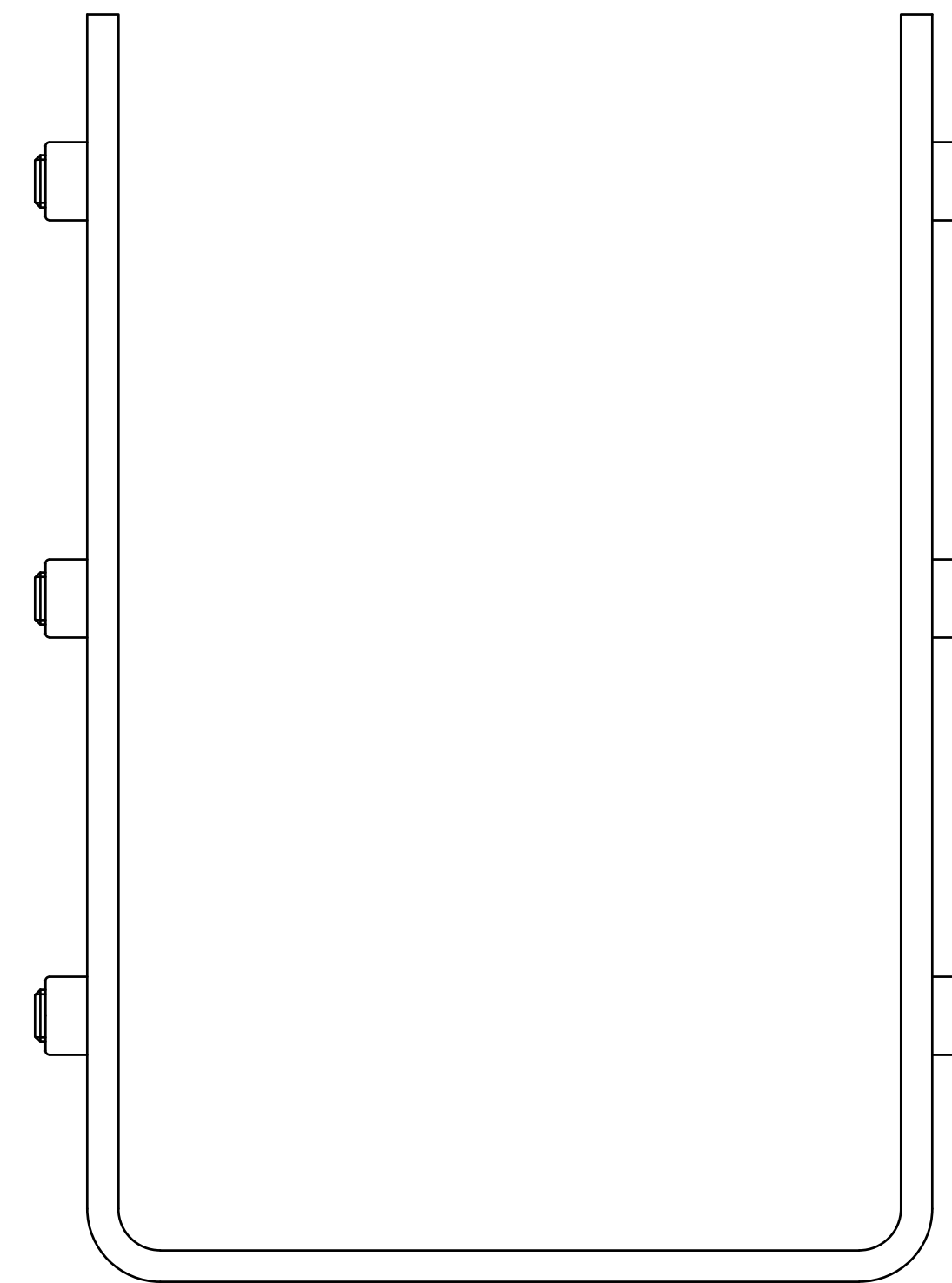
4X6 BEAMS



8X10 BEAMS



6X8 BEAMS



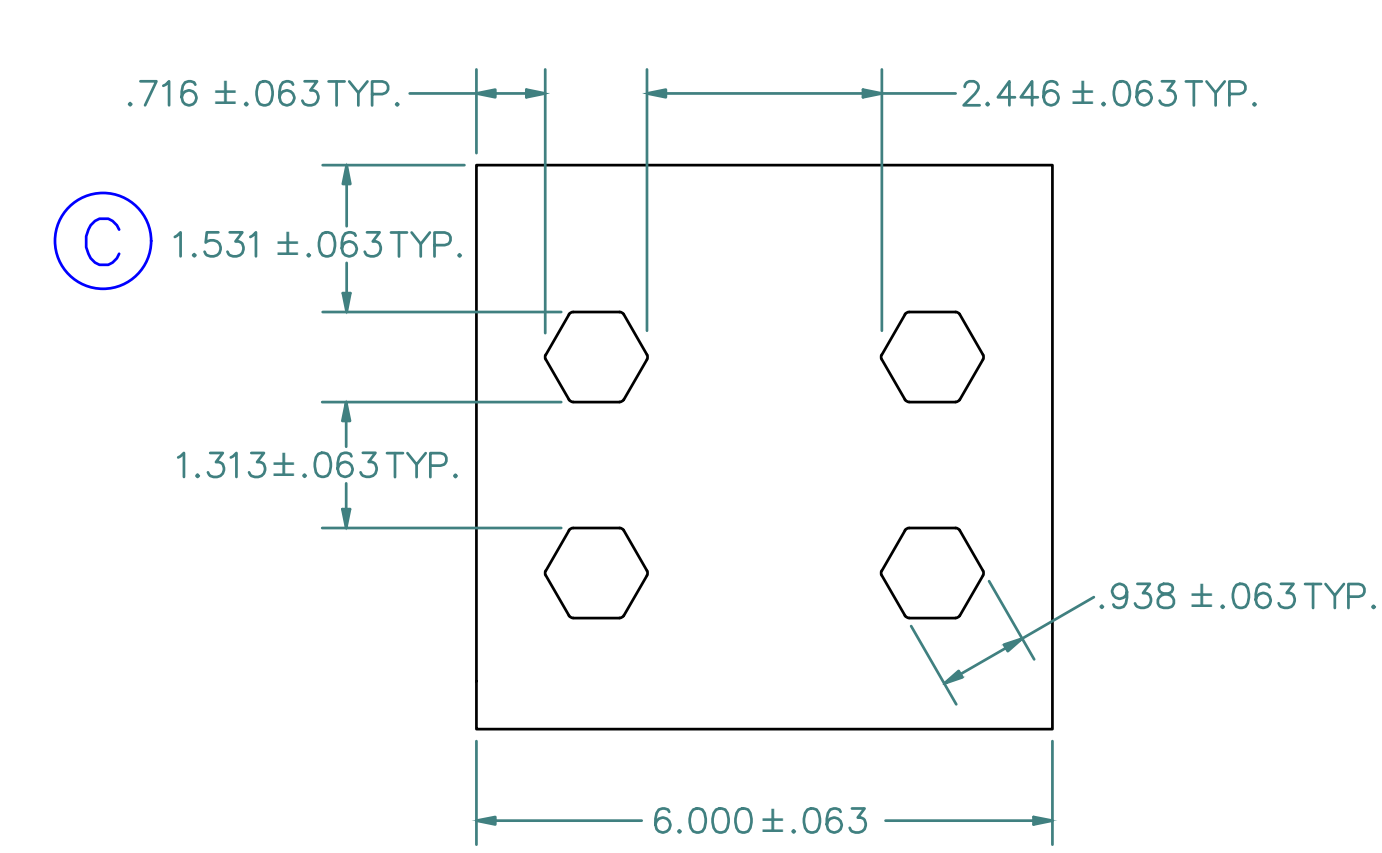
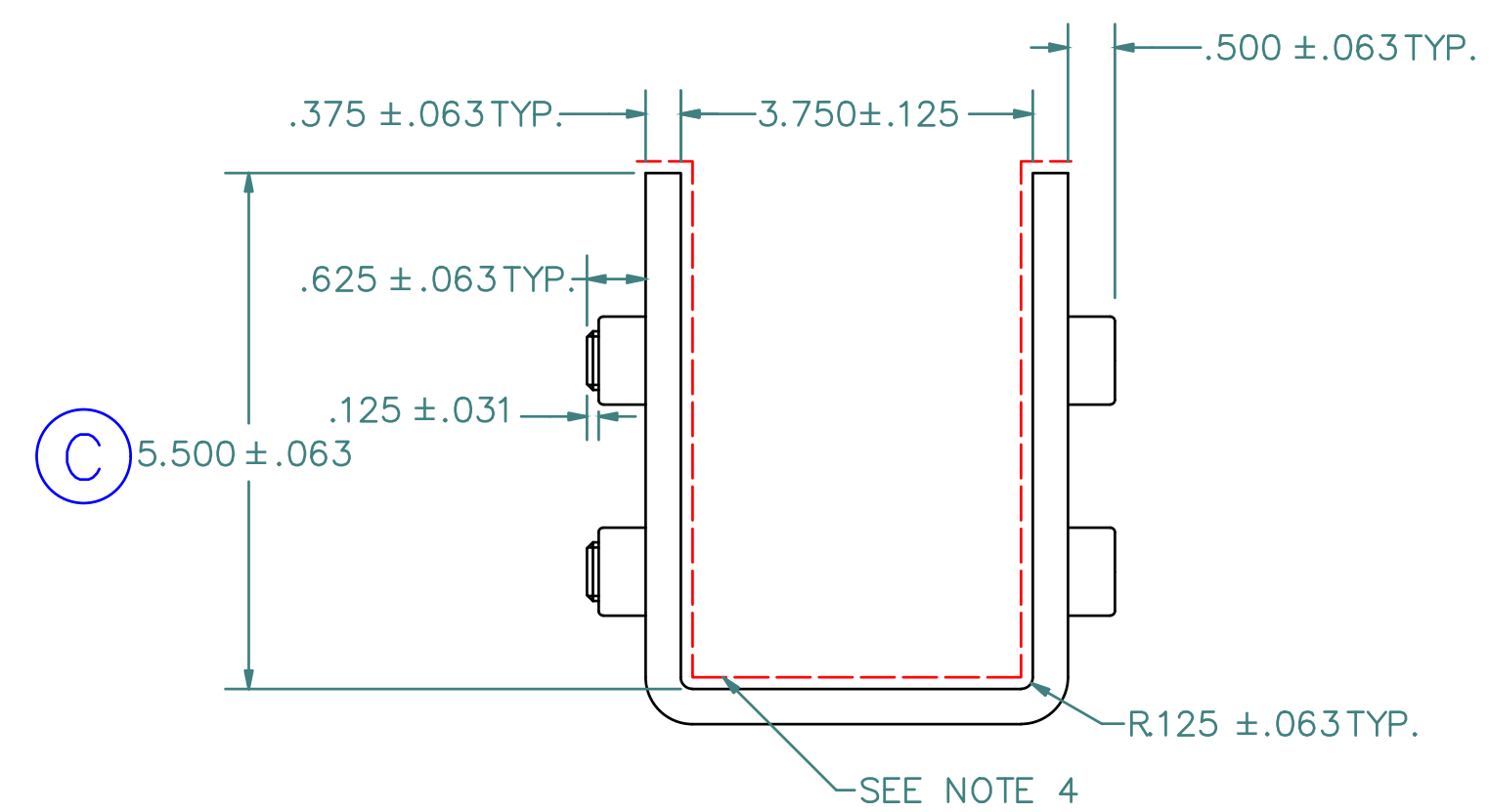
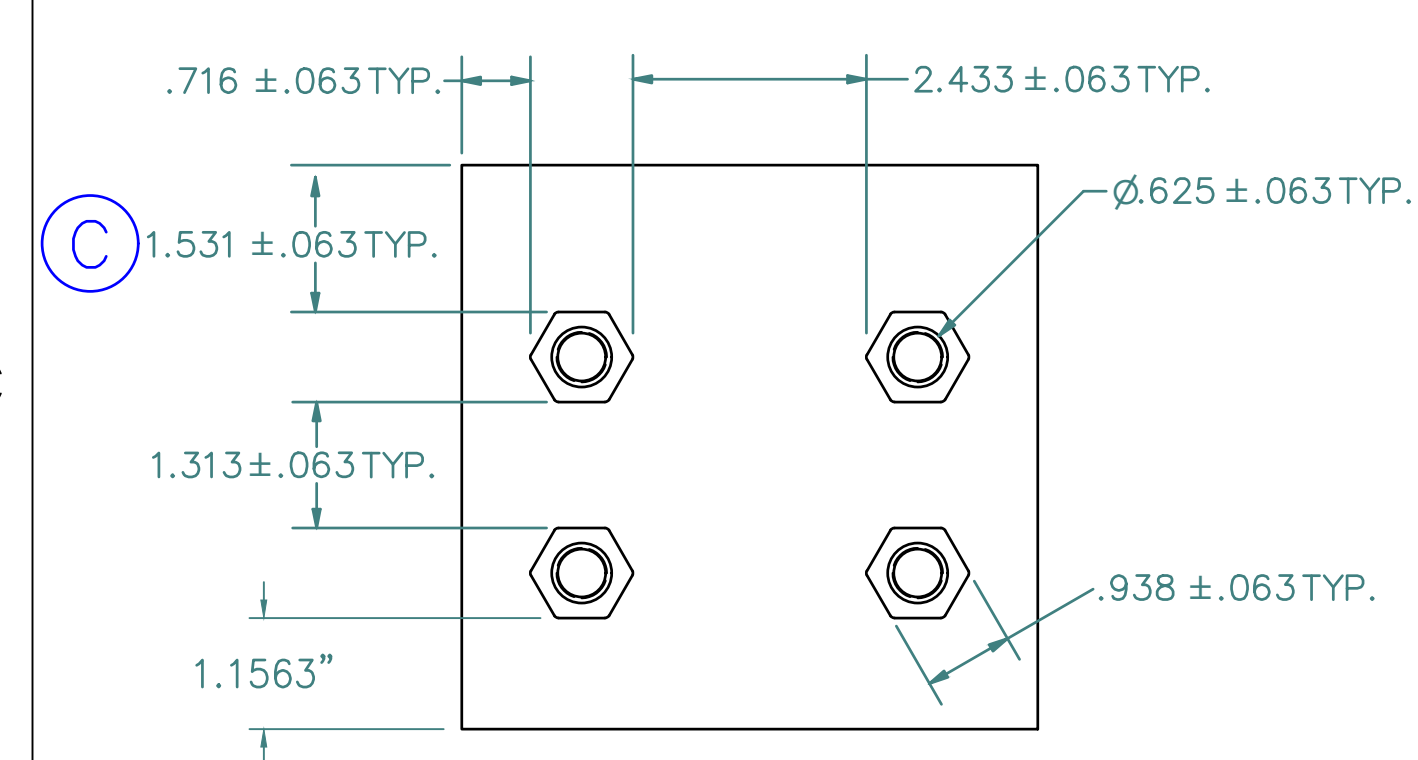
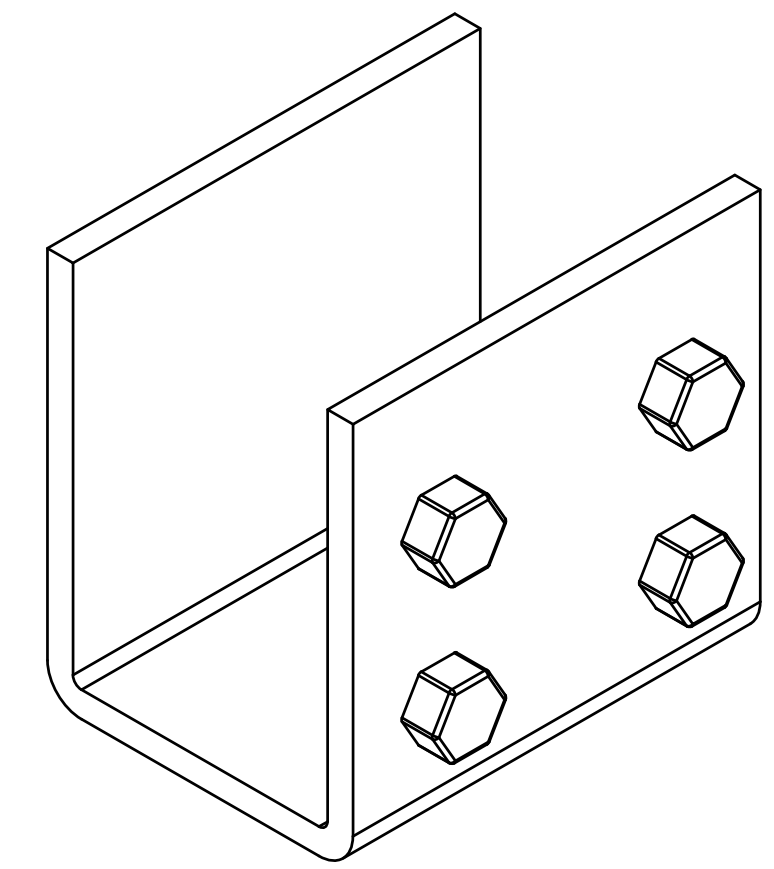
10X15 BEAMS

- NOTES:
1. MATERIAL CLOSED CELL POLYURETHANE PER MS0072.
 2. FOR SMOOTH AND HAMMERED TEXTURED BLACK PARTS USE SHERWIN WILLIAMS PAINTTEXTBLACK-R OR EQUIVALENT.
 3. REFERENCE MATH DATA FOR ALL UNDIMENSIONED FEATURES.
 4. RED DASHED LINES INDICATE SURFACES WHERE PRIMER IS NOT REQUIRED. PARTS TO BE FREE OF MISSED SPOTS AND RUNS.
 5. FOR TEXTURED REFERENCE MS0080.

UNLESS OTHERWISE SPECIFIED DIMENSIONS ARE IN INCHES			
<p>DECIMAL .XX= ± .03 .XXX= ± .015</p> <p>FRACTIONAL ± 1/64</p> <p>ANGULAR ± 1°</p>		<p>TITLE BEAM STRAPS</p>	
SIZE D	QUOTED ITEM NUMBER	DRWG NO. D3597	REV C
DRAWN BY Z.WALK	DATE 1/12/2016	CHECKED BY	CHECKED BY
SCALE NTS	DO NOT SCALE DRAWING	SHEET 1 OF 5	
UNLESS OTHERWISE SPECIFIED, ALL DIMENSIONS ARE IN INCHES			

BEAM STRAPS FOR 4X6 BEAMS

REV	DESCRIPTION	DATE	AUTHOR
A	ER7895 - INITIAL RELEASE	1/12/2016	Z.WALK
B	ER7915 - UPDATED NOTE BLOCK TO INCLUDE HAMMERED TEXTURE MS SPEC	2/17/2016	Z.WALK
C	EC20-0089 - UPDATED HEIGHT 1/8" MORE ON ALL BEAM STRAPS	6/26/2020	H. LOPEZ



SCALE 1:2

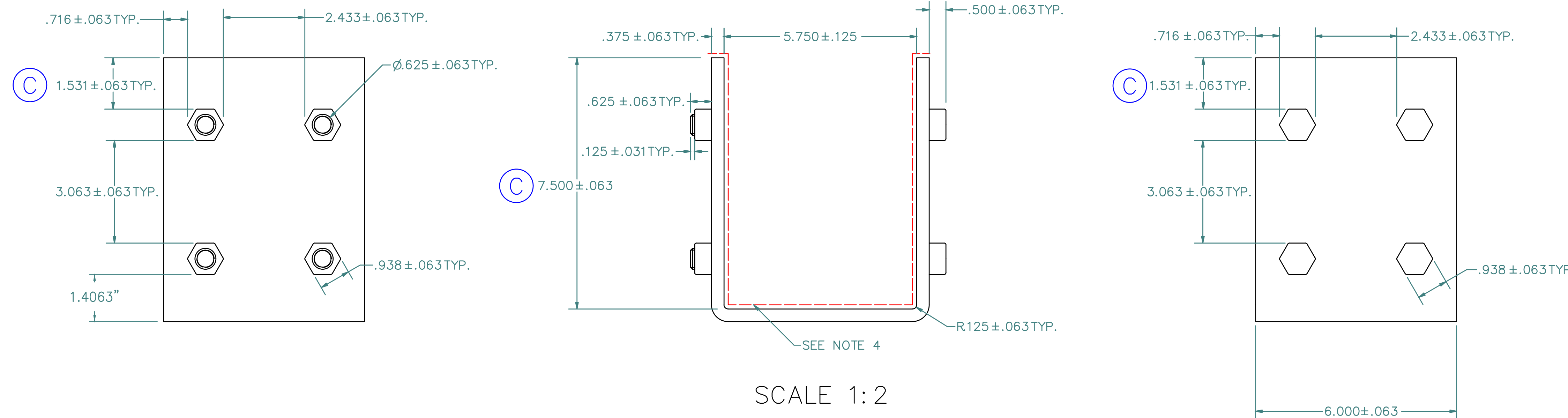
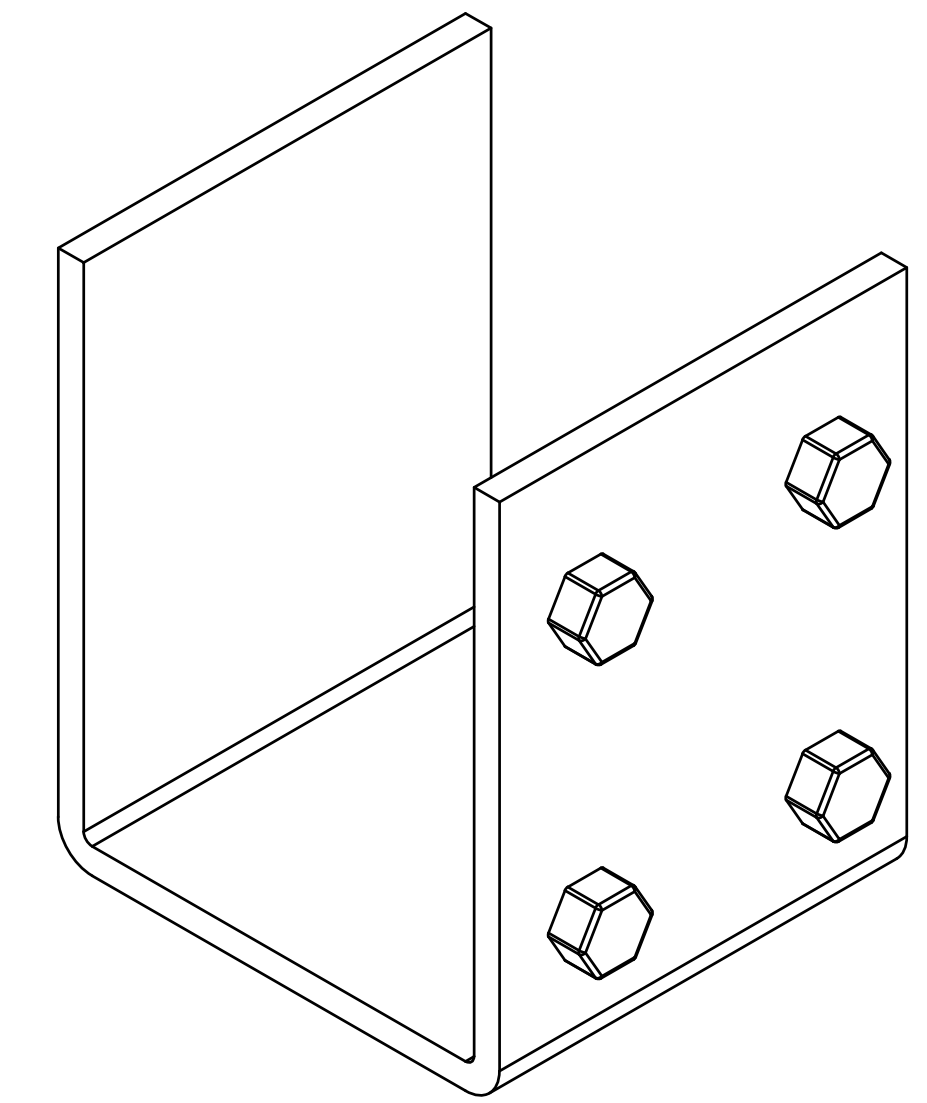
- NOTES:
1. MATERIAL CLOSED CELL POLYURETHANE PER MS0072.
 2. FOR SMOOTH AND HAMMERED TEXTURED BLACK PARTS USE SHERWIN WILLIAMS' PAINTTEXTBLACK-R OR EQUIVALENT.
 3. REFERENCE MATH DATA FOR ALL UNDIMENSIONED FEATURES.
 4. RED DASHED LINES INDICATE SURFACES WHERE PRIMER IS NOT REQUIRED. PARTS TO BE FREE OF MISSED SPOTS AND RUNS.
 5. FOR TEXTURED REFERENCE MS0080.

4X6 BEAM STRAPS		
PART NUMBER	COLOR	TEXTURE
BMSTRPS4X6	BLACK	SMOOTH
BMSTRPH4X6	BLACK	HAMMERED

UNLESS OTHERWISE SPECIFIED DIMENSIONS ARE IN INCHES		
DECIMAL .XX= ± .03 .XXX= ± .015 FRACTIONAL ± 1/64 ANGULAR ± 1°	TITLE BEAM STRAPS	
SIZE D	QUOTED ITEM NUMBER D3597	REV C
DRAWN BY Z.WALK	DATE 1/12/2016	CHECKED BY CHECKED BY
SCALE NTS	DO NOT SCALE DRAWING	SHEET 2 OF 5
UNLESS OTHERWISE SPECIFIED, ALL DIMENSIONS ARE IN INCHES		

BEAM STRAPS FOR 6X8 BEAMS

REV	DESCRIPTION	DATE	AUTHOR
A	ER7895 -- INTIAL RELEASE	1/12/2016	Z.WALK
B	ER7915 -- UPDATED NOTE BLOCK TO INCLUDE HAMMERED TEXTURE MS SPEC	2/17/2016	Z.WALK
C	EC20-0089 -- UPDATED HEIGHT 1/8" MORE ON ALL BEAM STRAPS	6/26/2020	H. LOPEZ



SCALE 1:2

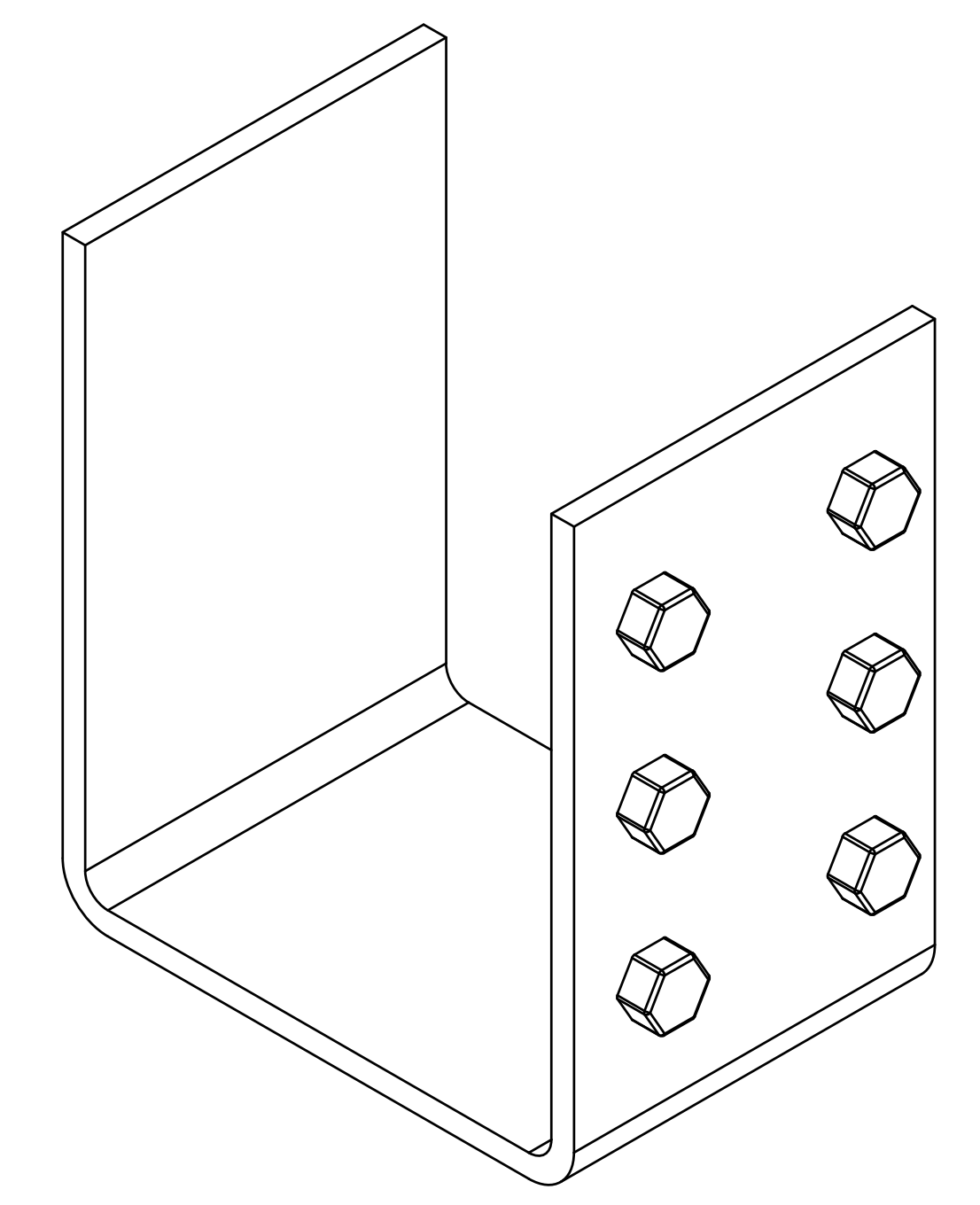
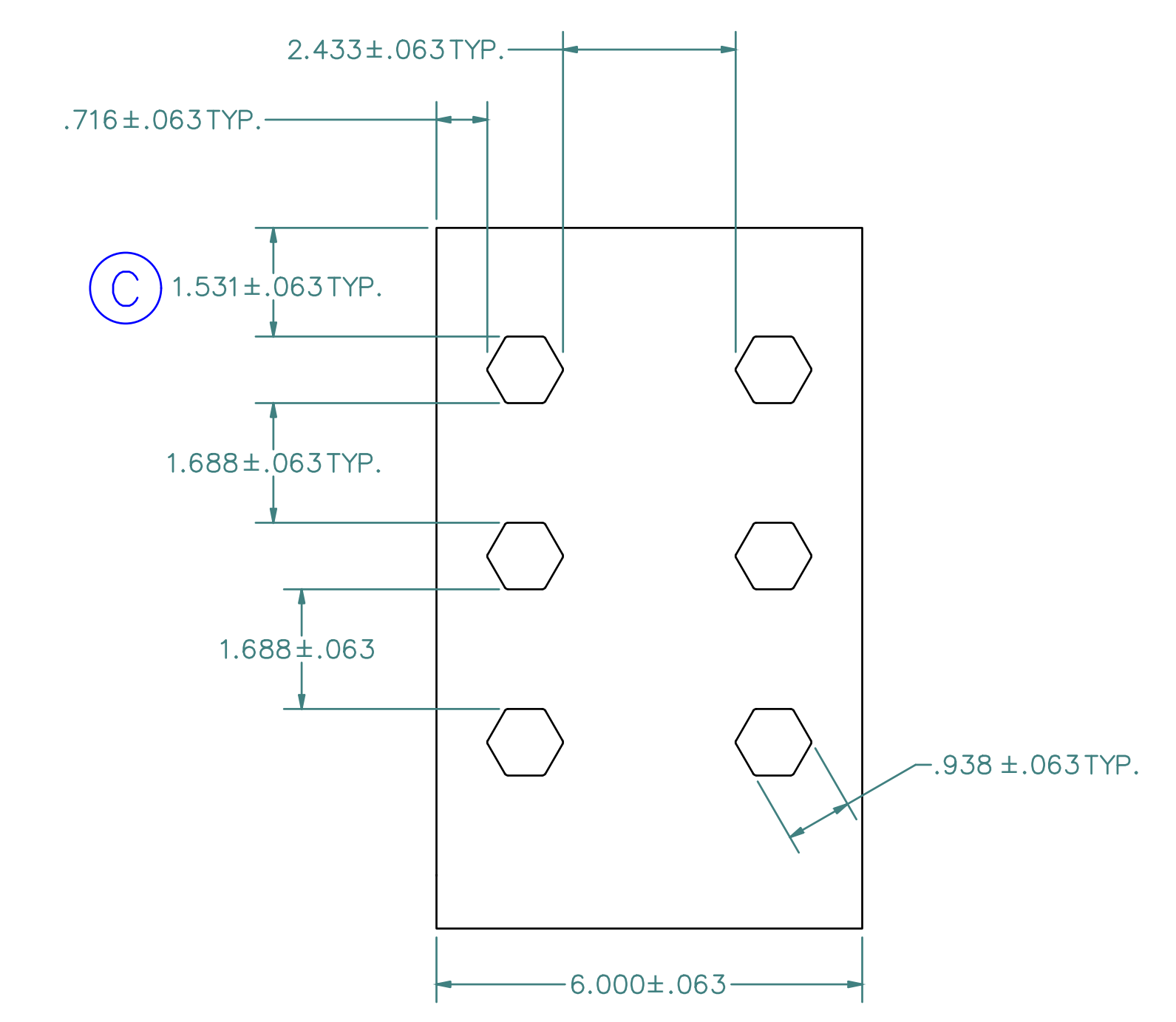
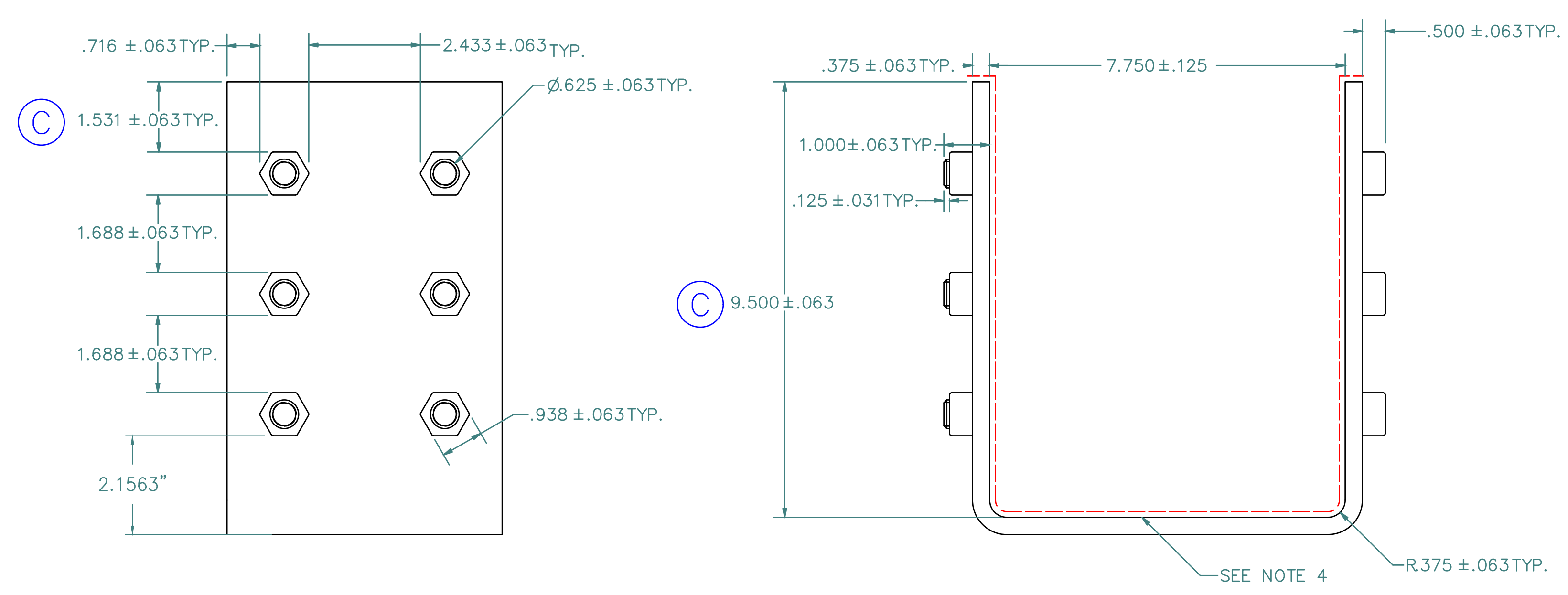
- NOTES:
1. MATERIAL CLOSED CELL POLYURETHANE PER MS0072.
 2. FOR SMOOTH AND HAMMERED TEXTURED BLACK PARTS USE SHERWIN WILLIAMS PAINTTEXTBLACK-R OR EQUIVALENT.
 3. REFERENCE MATH DATA FOR ALL UNDIMENSIONED FEATURES.
 4. RED DASHED LINES INDICATE SURFACES WHERE PRIMER IS NOT REQUIRED. PARTS TO BE FREE OF MISSED SPOTS AND RUNS.
 5. FOR TEXTURED REFERENCE MS0080.

6X8 BEAM STRAPS		
PART NUMBER	COLOR	TEXTURE
BMSTRPS6X8	BLACK	SMOOTH
BMSTRPH6X8	BLACK	HAMMERED

UNLESS OTHERWISE SPECIFIED DIMENSIONS ARE IN INCHES		
DECIMAL .XX= ± .03 .XXX= ± .015 FRACTIONAL ± 1/64 ANGULAR ± 1°	TITLE BEAM STRAPS	
SIZE D	QUOTED ITEM NUMBER D3597	REV C
DRAWN BY Z.WALK	DATE 1/12/2016	CHECKED BY CHECKED BY
SCALE NTS	DO NOT SCALE DRAWING	SHEET 3 OF 5
UNLESS OTHERWISE SPECIFIED, ALL DIMENSIONS ARE IN INCHES		

REV	DESCRIPTION	DATE	AUTHOR
A	ER7895 - INTIAL RELEASE	1/12/2016	Z.WALK
B	ER7915 - UPDATED NOTE BLOCK TO INCLUDE HAMMERED TEXTURE MS SPEC	2/17/2016	Z.WALK
C	EC20-0089 - UPDATED HEIGHT 1/8" MORE ON ALL BEAM STRAPS	6/26/2020	H. LOPEZ

BEAM STRAPS FOR 8X10 BEAMS



SCALE 1:2

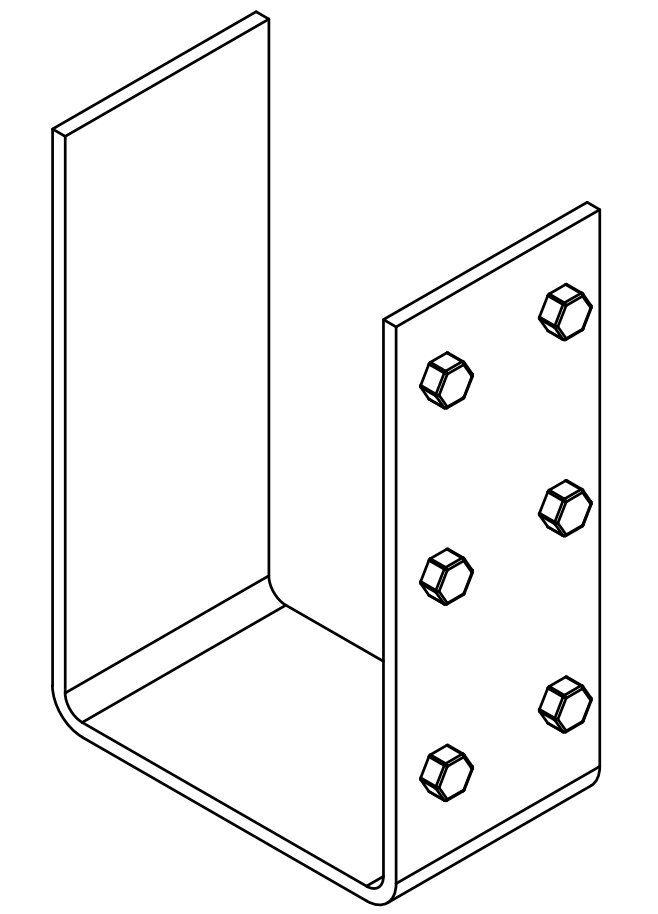
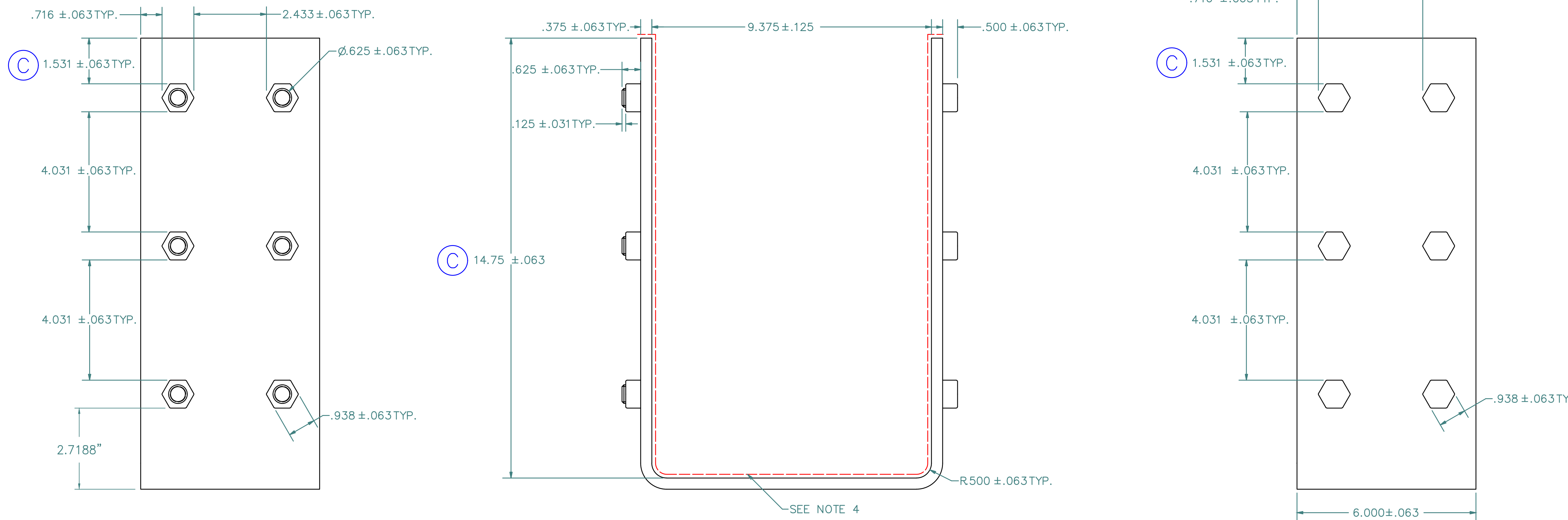
- NOTES:
1. MATERIAL CLOSED CELL POLYURETHANE PER MS0072.
 2. FOR SMOOTH AND HAMMERED TEXTURED BLACK PARTS USE SHERWIN WILLIAMS PAINTTEXTBLACK-R OR EQUIVALENT.
 3. REFERENCE MATH DATA FOR ALL UNDIMENSIONED FEATURES.
 4. RED DASHED LINES INDICATE SURFACES WHERE PRIMER IS NOT REQUIRED. PARTS TO BE FREE OF MISSED SPOTS AND RUNS.
 5. FOR TEXTURED REFERENCE MS0080.

8X10 BEAM STRAPS		
PART NUMBER	COLOR	TEXTURE
BMSTRPS8X10	BLACK	SMOOTH
BMSTRPH8X10	BLACK	HAMMERED

UNLESS OTHERWISE SPECIFIED DIMENSIONS ARE IN INCHES			
DECIMAL .XX= ± .03 .XXX= ± .015		TITLE BEAM STRAPS	
FRACTIONAL ± 1/64	SIZE D	QUOTED ITEM NUMBER D3597	DRWG NO. D3597
ANGULAR ± 1°	DRAWN BY Z.WALK	DATE 1/12/2016	CHECKED BY CHECKED BY
SCALE NTS	DO NOT SCALE DRAWING	SHEET 4 OF 5	REV C
UNLESS OTHERWISE SPECIFIED, ALL DIMENSIONS ARE IN INCHES			

BEAM STRAPS FOR 10X15 BEAMS

REV	DESCRIPTION	DATE	AUTHOR
A	ER7895 - INITIAL RELEASE	1/12/2016	Z.WALK
B	ER7915 - UPDATED NOTE BLOCK TO INCLUDE HAMMERED TEXTURE MS SPEC	2/17/2016	Z.WALK
C	EC20-0089 - UPDATED HEIGHT 1/8" MORE ON ALL BEAM STRAPS	6/26/2020	H. LOPEZ



SCALE 1:2

- NOTES:
1. MATERIAL CLOSED CELL POLYURETHANE PER MS0072.
 2. FOR SMOOTH AND HAMMERED TEXTURED BLACK PARTS USE SHERWIN WILLIAMS PAINTTEXTBLACK-R OR EQUIVALENT.
 3. REFERENCE MATH DATA FOR ALL UNDIMENSIONED FEATURES.
 4. RED DASHED LINES INDICATE SURFACES WHERE PRIMER IS NOT REQUIRED. PARTS TO BE FREE OF MISSED SPOTS AND RUNS.
 5. FOR TEXTURED REFERENCE MS0080.

10X15 BEAM STRAPS		
PART NUMBER	COLOR	TEXTURE
BMSTRPS10X15	BLACK	SMOOTH
BMSTRPH10X15	BLACK	HAMMERED

UNLESS OTHERWISE SPECIFIED DIMENSIONS ARE IN INCHES		
<p>DECIMAL .XX = $\pm .03$.XXX = $\pm .015$</p> <p>FRACTIONAL $\pm 1/64$</p> <p>ANGULAR $\pm 1^\circ$</p>	<p>TITLE BEAM STRAPS</p>	
SIZE D	QUOTED ITEM NUMBER	DRWG NO. D3597
	DRAWN BY Z.WALK	DATE 1/12/2016
	CHECKED BY	CHECKED BY
SCALE NTS	DO NOT SCALE DRAWING	SHEET 5 OF 5
UNLESS OTHERWISE SPECIFIED, ALL DIMENSIONS ARE IN INCHES		