

General & Safety Information

- Wear proper personal protective equipment (PPE).
- Operate all tools per manufacturer guidelines.
- Standard woodworking saws and blades can be used for cutting Fypon® polyurethane (PUR) products.
- Fypon PUR parts are NOT load bearing. However, Fypon PUR mantels have been tested to support a weight load of up to 200 lbs. if properly mounted using the provided installation kit.
- Always follow applicable code requirements and clearances with fireplaces or other heat sources per manufacturer recommendations. Fypon PUR mantels have been tested to ASTM D1929 and shown to be safe from ignition to 300°C (572°F).
- For best results, finish and allow to dry prior to installation. Refer to Fypon General Finishing Instructions, which can be found at fypon.com/install.
- All Fypon products must be installed per the following instructions and finished within 90 days of installation to maintain warranty coverage.

Tools / Materials

- Pencil
- Tape measure
- Level
- Square and / or T-bevel
- Stud finder
- Drill / driver and appropriate bits
- Putty knife
- Sandpaper (220-grit recommended)
- Caulk gun
- Painter's tape
- Exterior-grade polyurethane-compatible sealant and / or filler
- Exterior-grade polyurethane-compatible adhesive (Loctite® PL Premium® recommended)

Installation kit contents:

- (4) 12-gauge aluminum mounting brackets
- (8) #8 x 1-½" Phillips pan head self-drilling screws (for fastening mantel to brackets)
- (8) #14 x 2" Phillips flat head stainless steel screws (for mounting brackets to drywall or wood)
- (8) 1/4" x 2-¼" Phillips flat head concrete anchors (for mounting brackets to masonry)

If not using the installation kit, the following items will also be needed:

- 2x4 or 2x6 lumber and saw for cutting
- Exterior-grade trim head screws
- Appropriate fasteners to secure blocking to wall, including 1/4" dia. toggle bolts (if fastening to drywall only)

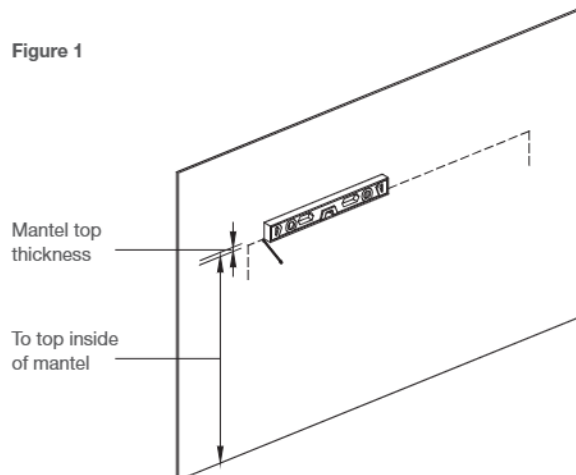
Installation Instructions

1) Mark guideline.

Refer to Figure 1. Mark straight and level guidelines to denote the inside top and ends of the mantel.

If installing the mantel over a heat source, ensure that the location meets applicable code requirements. Typically, the bottom of the mantel must be at least 12" above the heat source, plus 1" for every 1" that the mantel protrudes from the wall at its maximum depth.

Figure 1



2) Mark mounting locations.

Refer to Figure 2. Use a stud finder and mark any stud locations with painter's tape placed about 2" above the guideline so they will still be visible after the mantel is in position.

If the stud locations are more than 8" from the ends of the mantel, make marks on the guideline that are 8" from the ends. (Toggle bolts will be needed for any non-stud locations, but at least 3 brackets must be mounted to studs to achieve the rated load capacity.)

If mounting to masonry, mounting locations should be spaced equally starting at 8" from each end for a total of 4 locations.

If mounting to drywall only, toggle bolts must be used, but the load capacity will be reduced.

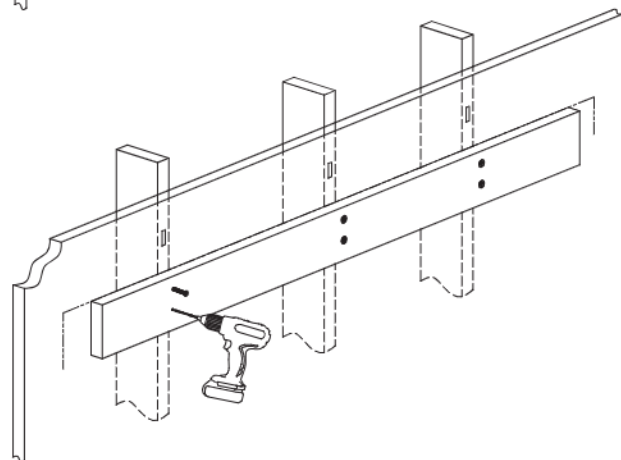
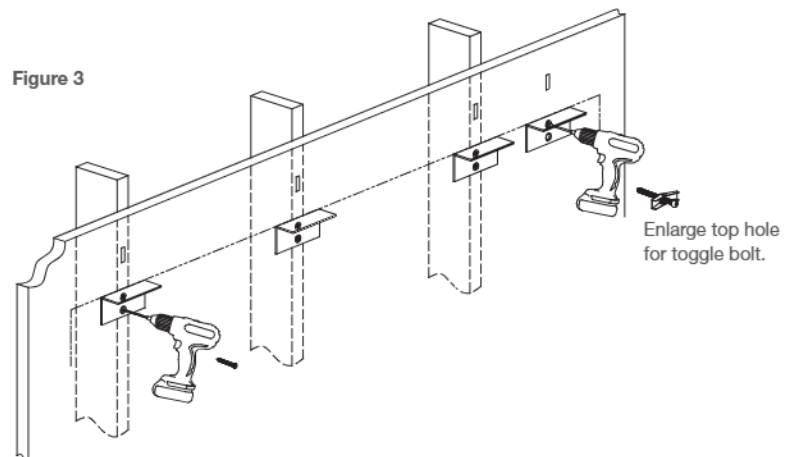
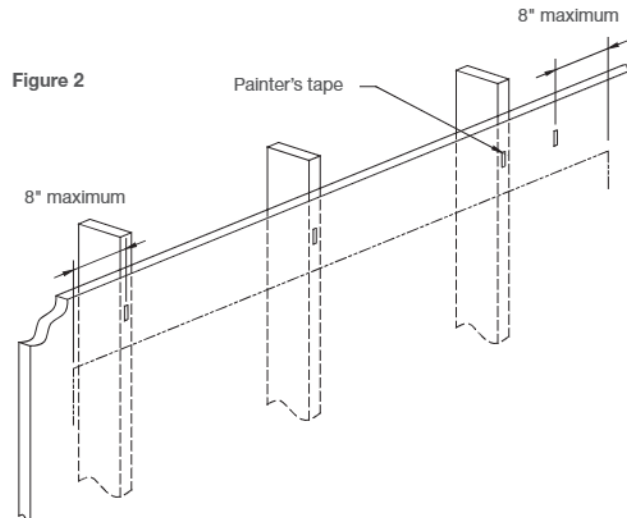
3) Attach mounting brackets or blocking.

Refer to Figure 3. Align the tops of the mounting brackets with the guideline at the previously marked locations, pre-drill with an 1/8" bit (3/16" bit for masonry), and fasten to the wall using the appropriate fasteners.

For any toggle bolt locations, drill hole in the wall using a 5/8" bit (for a 1/4" toggle bolt).

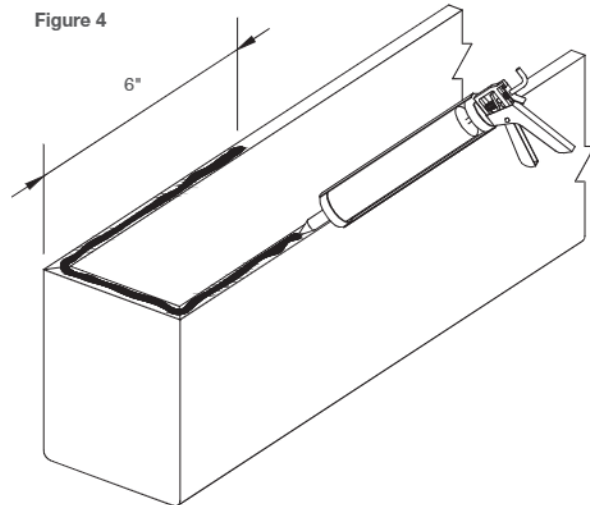
If using a single board, use the appropriate fasteners at the identified mounting locations.

Note that the fasteners required for a board or blocking will be longer than the ones in the provided installation kit.



4) Apply adhesive to mantel (recommended for uplift resistance).

Refer to Figure 4. Apply a 1/4" bead of adhesive to the back side of the mantel at the ends and about 6" in from the ends.



5) Install mantel.

Refer to Figure 5. Press the mantel over the brackets or blocking and against the wall. Fasten to each mounting bracket with two of the provided #8 x 1-1/2" self-drilling screws, about 1" away from the wall. Partially install all of the screws, then fully tighten them so their heads are countersunk. If using blocking, fasten at the marked mounting locations using exterior-grade trim head screws.

Remove any excess adhesive and painter's tape.

6) Fill fastener holes.

Fill fastener holes with filler and sand to match surrounding area, if needed, but be careful not to remove the primer.

7) Touch up or finish.

Refer to Fypon® General Finishing Instructions. If part was finished prior to installation, touch up filled fastener holes with color-matched finish. If the wall surface is not smooth and flat, it may be desired to apply sealant where the mantel meets the wall for a clean appearance.

Figure 5

