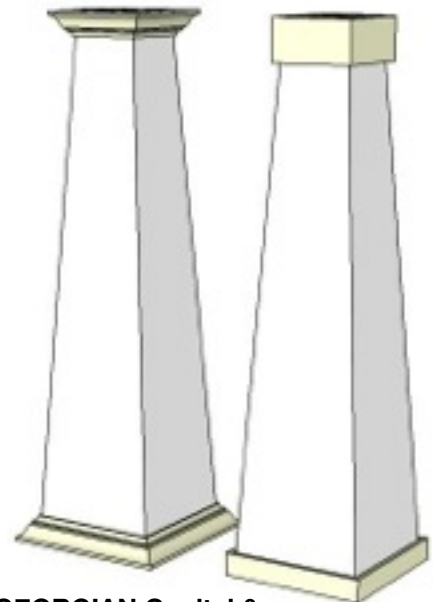
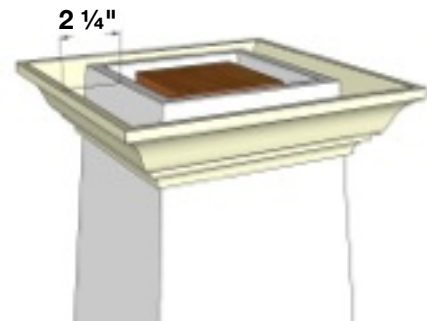


As a standard, our Columns come with a Georgian Capital and Base Set. They are completely customizable, depending on your overhang and reveal preference. You may choose a thinner Box Capital or Box Base

BOX Capital & Base Set




GEORGIAN Capital & Base Set



The Georgian Set add 2 1/4" on each side of the shaft or a total of about 4 1/2". The Box Set adds 1 1/8" to each side or about 2 1/4".

NOTES: WHEN ORDERING CUSTOM COLUMNS, SPECIFY SIZE FOR SHAFT DIMENSIONS WITHOUT BASE OR CAPITAL. IF COLUMNS ARE TO BE SHORTEN ON SITE, ALWAYS CUT FROM BOTTOM

 <p>#8 25 Royal Group Cres., Woodbridge (Toronto), Ontario, Canada L4H 1X9 905-760-1665 www.elitetrimworks.com</p>	Tapered PVC Column Wrap Elevations & Details of Custom Sizing		Project / Client Name:		
	A=	B=	C=	D=	
	Date:		Approved By:		
	Non-visual areas may be subject to modifications. Drawing not to scale		Custom orders must be paid in full prior to production and not eligible for refunds of any kind.		