



SPECIFICATIONS FOR ELITE TRIMWORKS

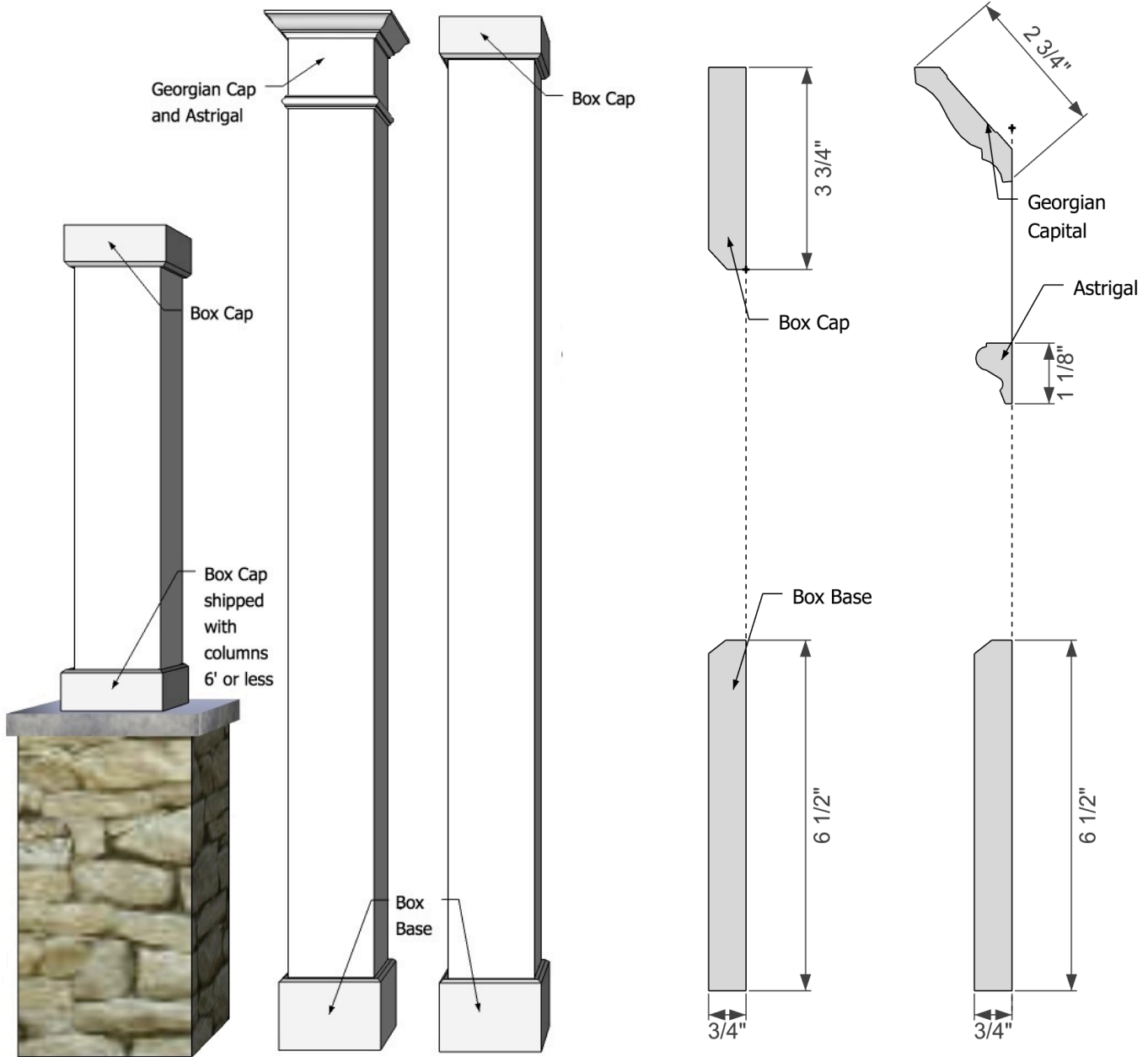
STANDARD PVC CAPITALS & BASES



TABLE OF CONTENTS

Typical Non-Tapered PVC Columns	2
PVC Post Covers and Porch Posts	3
PVC Telescopic Columns	4
Tall, Premium Collection Columns	5
Tapered PVC Columns up to 6' tall	6
Tapered PVC Columns over 6' tall	7

CROSS SECTION OF PROFILES



(Toronto), Ontario, Canada L4H 1X9
905-760-1665

www.elitetrimworks.com

**PVC Capital & Base Profiles for our
Typical Non Tapered Column Wraps**

Date: June 2018

Scale: Not to Scale

Drawn By: Marino Primozic

Non-visual areas may be subject to
modifications.

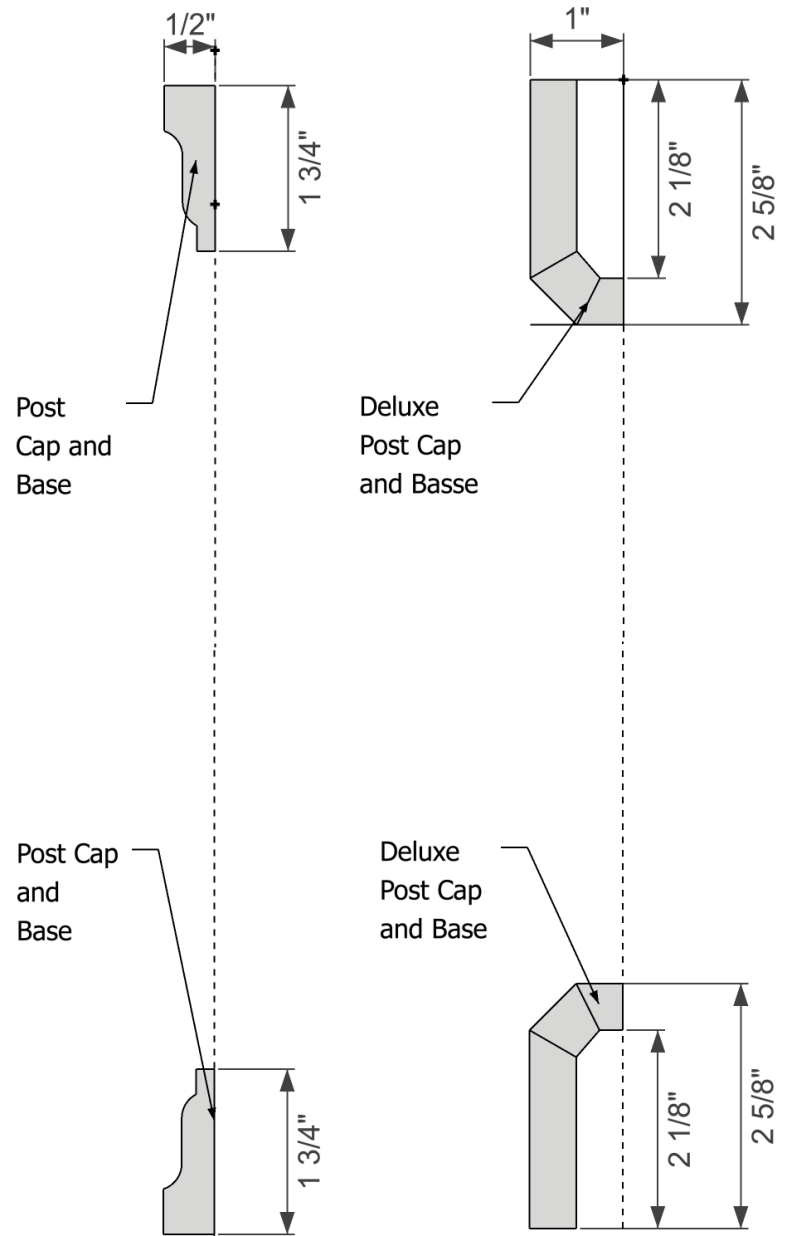
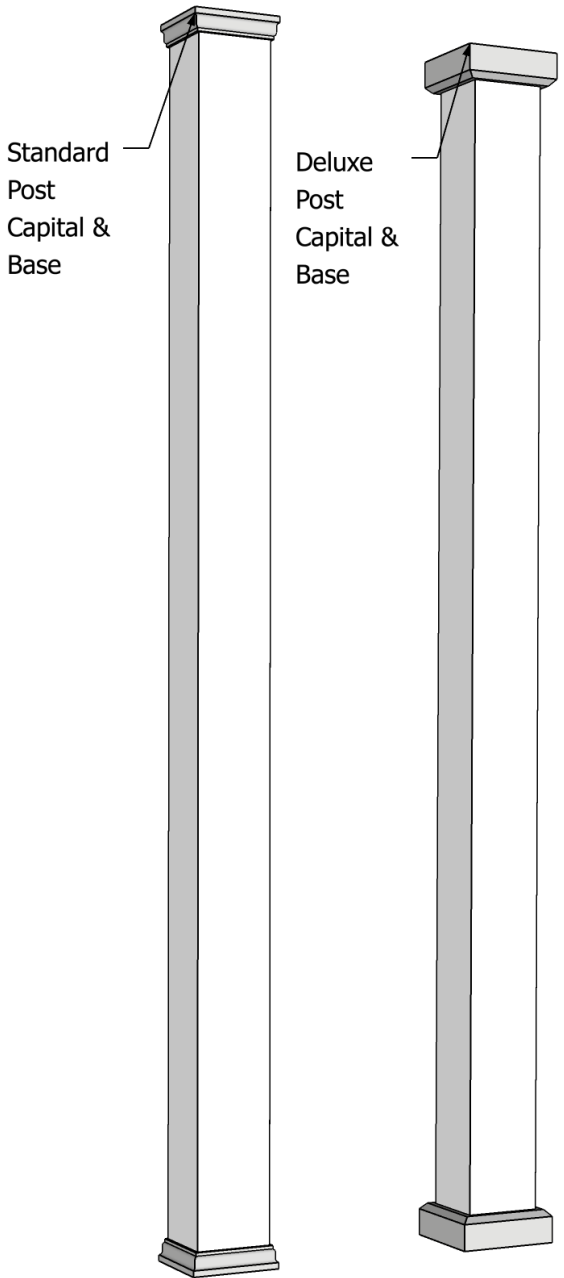
Project Name:

CUSTOMER APPROVAL

X _____

Custom orders must be paid in full prior to production
and not eligible for refunds.

CROSS SECTION OF PROFILES




EliteTrimworks
 #8 25 Royal Group Cres., Woodbridge
 (Toronto), Ontario, Canada L4H 1X9
 905-760-1665
www.elitetrिमworks.com

PVC Capital & Base Sizing for PVC Post Cover or Wraps

Date: June 2018
Scale: Not to Scale
Drawn By: Marino Primozic

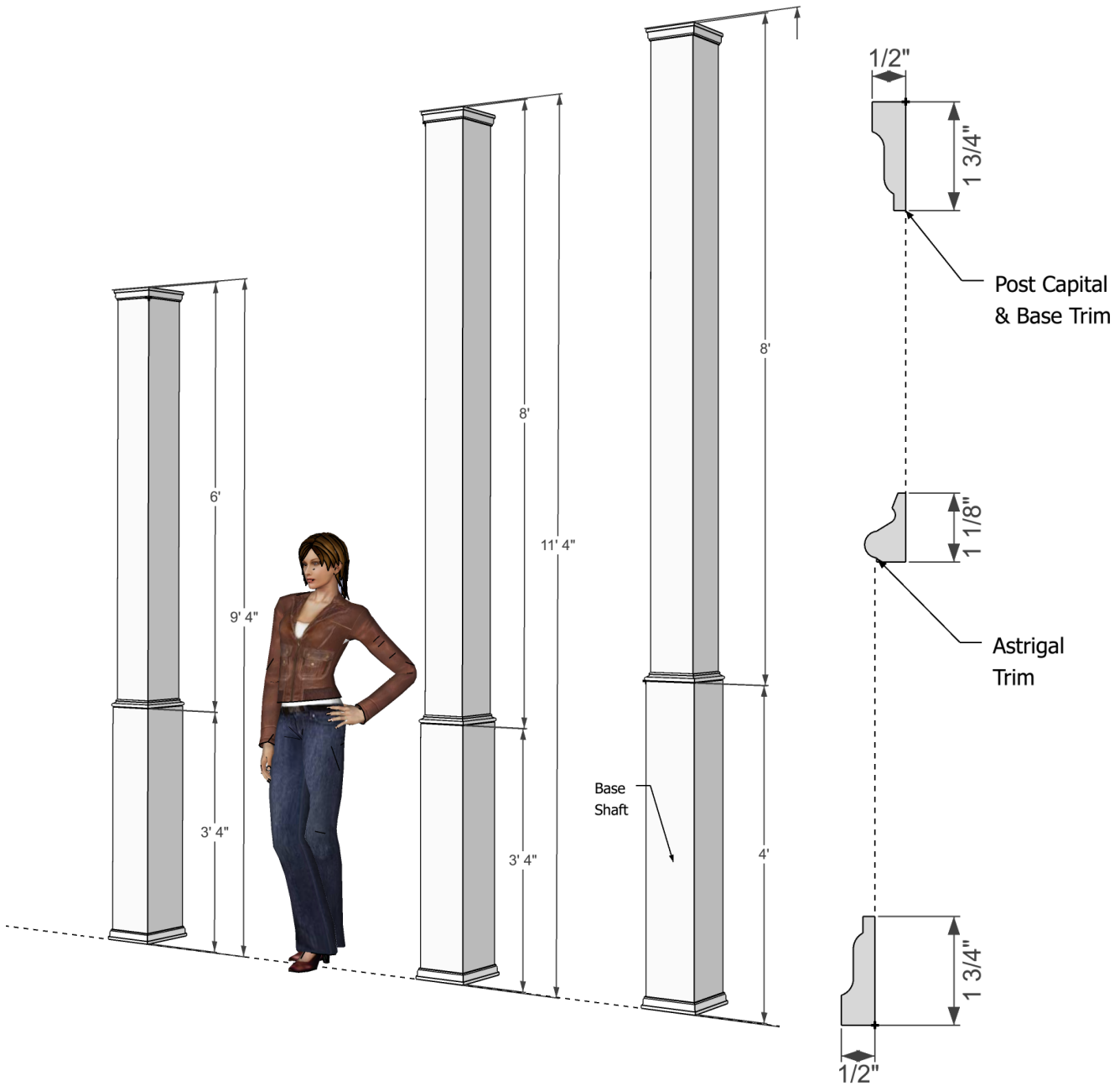
Non-visual areas may be subject to modifications.

Project Name:

CUSTOMER APPROVAL

X _____

Custom orders must be paid in full prior to production and not eligible for refunds.



#8 25 Royal Group Cres., Woodbridge
 (Toronto), Ontario, Canada L4H 1X9
 905-760-1665
www.elitetrimworks.com

**Capital & Base Profiles for PVC
 Telescopic Porch Posts up to 12'**

Date: June 2018
Scale: Not to Scale
Drawn By: Marino Primozic

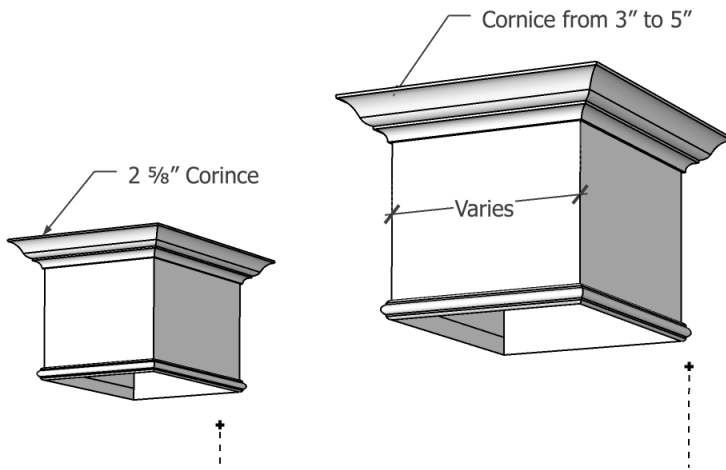
Non-visual areas may be subject to
 modifications.

Project Name:

CUSTOMER APPROVAL

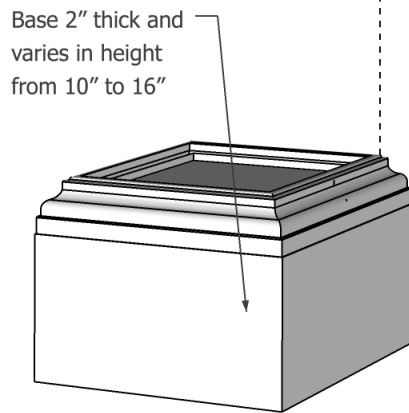
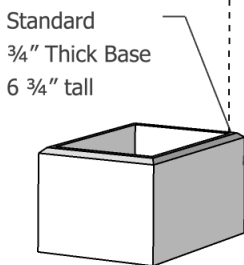
X _____

Custom orders must be paid in full prior to production
 and not eligible for refunds.



Elite Series Large Columns come with architecturally accurate Contemporary Capitals and Bases

Typical Cap/Base Sizing		
Shaft Height	Capital Cornice Size	Base Height
8 ft.	3"	10"
10 ft.	3"	10"
12 ft.	3"	10"
14 ft.	3"	10"
16 ft.	4"	12"
18 ft.	5"	14"
20 ft.	5"	16"



#8 25 Royal Group Cres., Woodbridge (Toronto), Ontario, Canada L4H 1X9
905-760-1665
www.elitetrimworks.com

Contemporary Collection for Tall, Premium Collection PVC Columns

Date: June 2018
Scale: Not to Scale
Drawn By: Marino Primozic

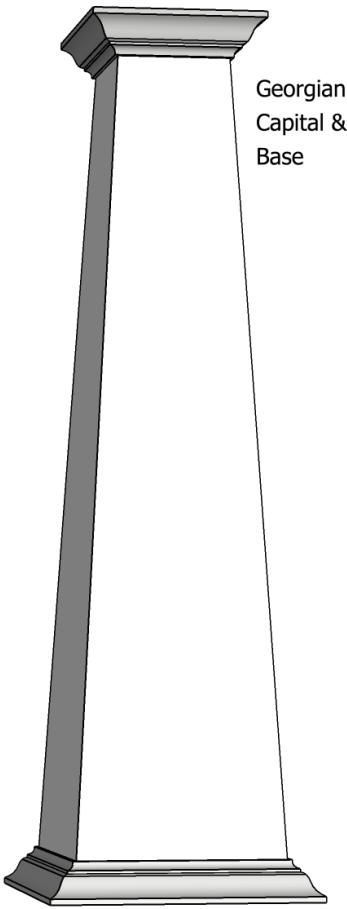
Non-visual areas may be subject to modifications.

Project Name:

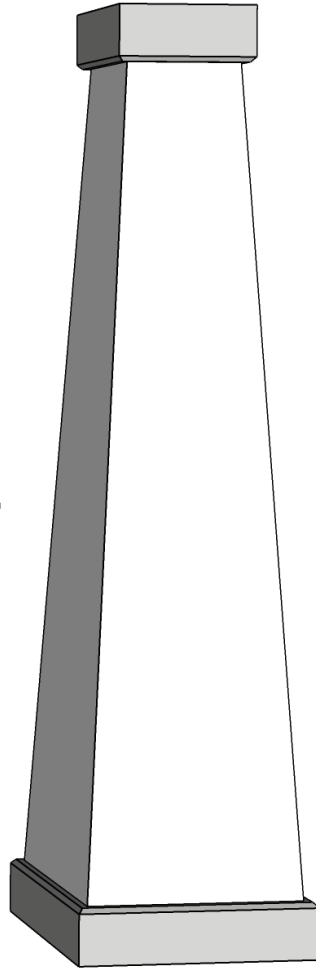
CUSTOMER APPROVAL

X _____

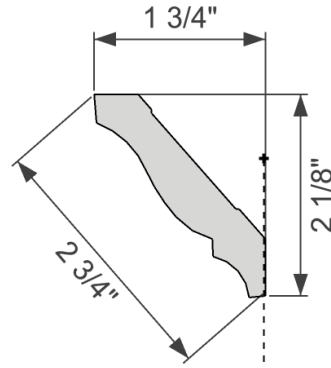
Custom orders must be paid in full prior to production and not eligible for refunds.



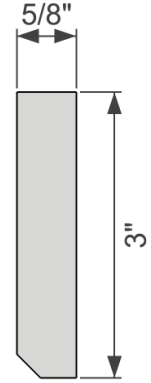
Georgian
Capital &
Base



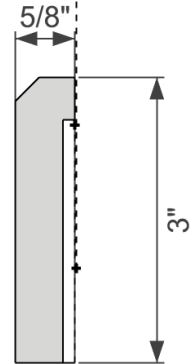
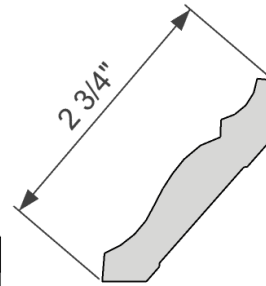
Box
Capital &
Base



Georgian
Capital &
Base



Box
Capital &
Base



#8 25 Royal Group Cres., Woodbridge
(Toronto), Ontario, Canada L4H 1X9
905-760-1665

www.elitetrimworks.com

**Capital & Base Sizing for PVC
Tapered Columns up to 6' tall**

Date: June 2018

Scale: Not to Scale

Drawn By: Marino Primozic

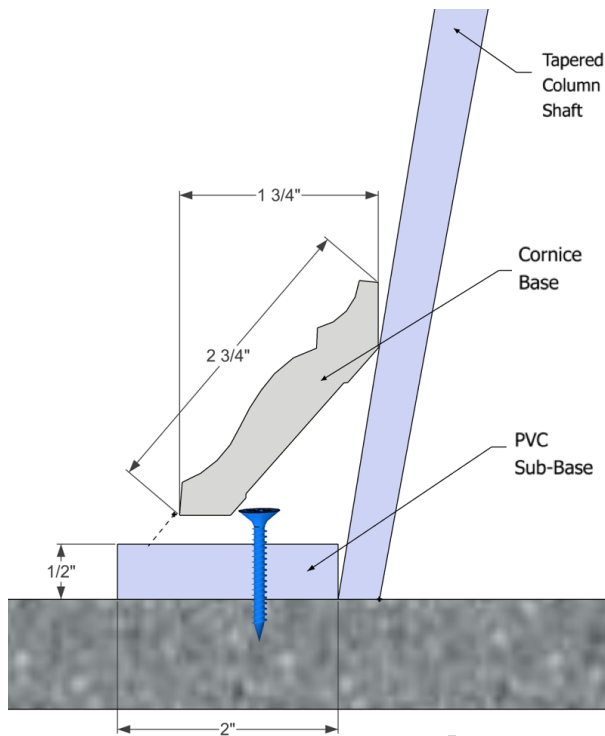
Non-visual areas may be subject to
modifications.

Project Name:

CUSTOMER APPROVAL

X _____

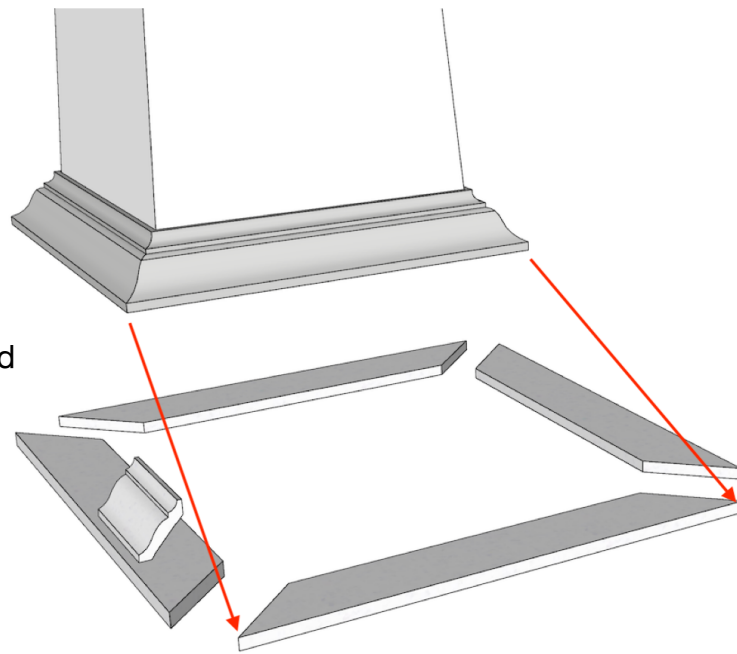
Custom orders must be paid in full prior to production
and not eligible for refunds.




Unlike tapered columns that are installed on pedestals, taller columns are mounted directly on the concrete floor. This requires additional support of the PVC sub-base to withstand impact such as snow shovels and foot traffic.

Installation Tip:

First install the shaft at the desired position, then screw in place the four pieces of PVC sub-base around the shaft. Finally glue and pin the cornice in place as shown above.



 <p>#8 25 Royal Group Cres., Woodbridge (Toronto), Ontario, Canada L4H 1X9 905-760-1665 www.elitetrimworks.com</p>	<p>Georgian Base Sizing for PVC</p> <p>Tapered Columns Over 6' tall that are typically mounted on concrete floors</p>	<p>Project Name:</p>
	<p>Date: June 2018 Scale: Not to Scale Drawn By: Marino Primozic</p>	<p>CUSTOMER APPROVAL</p> <p>X _____</p>
	<p>Non-visual areas may be subject to modifications.</p>	<p>Custom orders must be paid in full prior to production and not eligible for refunds.</p>